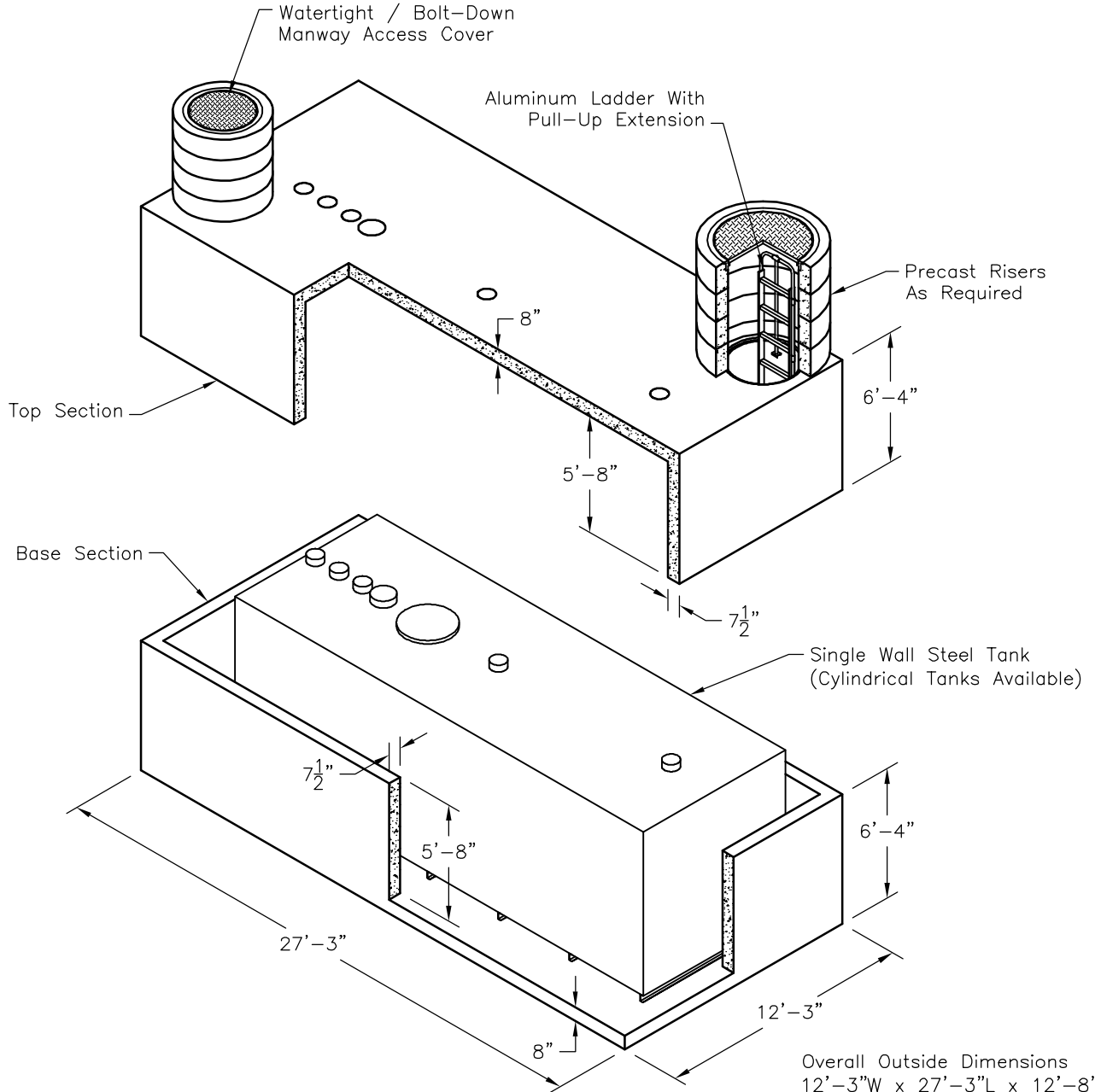


NOTE: Penetrations and Tank Dimensions Shown Are For Illustration Purposes Only. Actual Penetration Sizes & Locations and Tank Dimensions & Capacity Will Vary According To Customer's needs.



Approximate Weights
Top - 73000 Lbs
Base - 74000 Lbs

SCALE: 1/8" = 1'-0"

Overall Outside Dimensions
12'-3"W x 27'-3"L x 12'-8"H
Overall Inside Dimensions
11'-0"W x 26'-0"L x 11'-4"H
Minimum Excavation Is To Be
12" Larger Than Product On
All Sides



Southern California
Fontana, San Diego, Santa Paula
Phone: 800-626-3860 Fax: 909-428-3737

ContVlt 1126136CV

FILE NAME: 070UEE1126CVFV.DWG

ISSUE DATE: September 2001

www.oldcastleprecast.com

11'-0" x 26'-0" x 11'-4"
Secondary Containment
Standard Layout

Copyright © 2008 Oldcastle Precast, Inc.