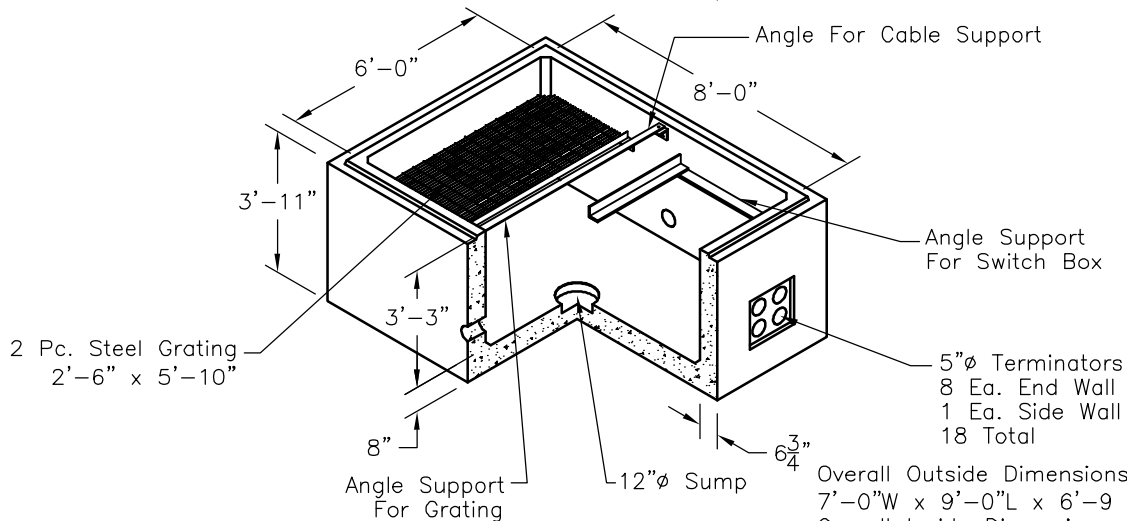
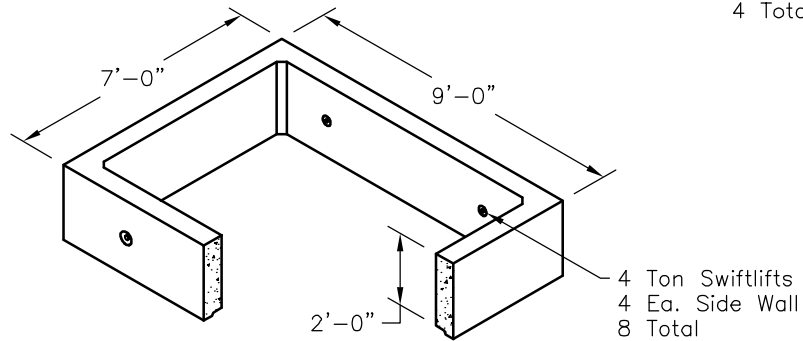


NOTES: Items Not Shown
 1/2"Ø Bronze Grounding Inserts
 1 Ea. Opp. Corners
 2 Total
 7/8"Ø Pull Irons
 2 Ea. End Wall
 4 Total



Overall Outside Dimensions
 7'-0"W x 9'-0"L x 6'-9 1/2"H
 Overall Inside Dimensions
 5'-10 1/2"W x 7'-10 1/2"L x 5'-3"H
 Minimum Excavation Is To Be
 12" Larger Than Product On
 All Sides

Approximate Weights
 Base - 13700 Lbs
 Riser - 4650 Lbs

SCALE: 3/16" = 1'-0"



Southern California
 Fontana, San Diego, Santa Paula
 Phone: 800-626-3860 Fax: 909-428-3737

SDG&E 6873.5SE

FILE NAME: 070UEE6873SCSD.DWG

ISSUE DATE: August 2001

www.oldcastleprecast.com

**6'-0" x 8'-0" x 6'-1 1/2" S & C
 3317 Vista Switch Enclosure
 San Diego Gas & Electric**

Copyright © 2008 Oldcastle Precast, Inc.