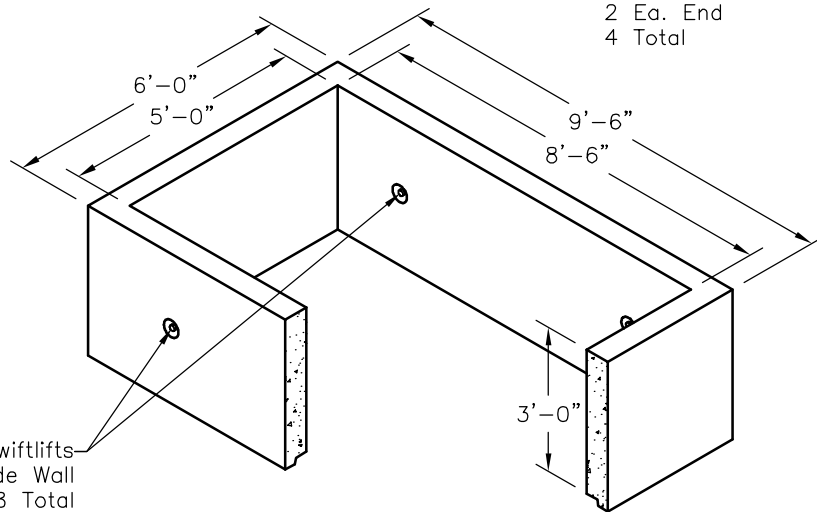
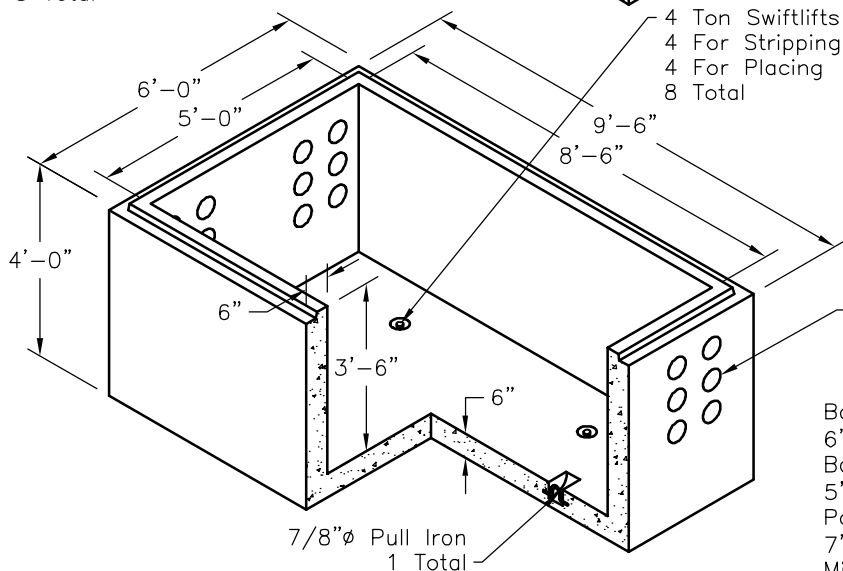


4 Ton Swiftlifts
2 Ea. End
4 Total



4 Ton Swiftlifts
4 Ea. Side Wall
8 Total



4 Ton Swiftlifts
4 For Stripping
4 For Placing
8 Total

5"Ø Terminators
12 Ea. End Wall
24 Total

Box Outside Dimensions
6'-0"W x 9'-6"L x 7'-0"H
Box Inside Dimensions
5'-0"W x 8'-6"L x 6'-6"H
Pad Dimensions
7'-0"W x 10'-6"L x 8"H
Minimum Excavation Is To
Be 12" Larger Than Product
On All Sides

Approximate Weights
Base - 11600 Lbs
Pad - 3400 Lbs
Riser - 6500 Lbs

7/8"Ø Pull Iron
1 Total

SCALE: 1/4" = 1'-0"



Southern California
Fontana, San Diego, Santa Paula
Phone: 800-626-3860 Fax: 909-428-3737

AZUSA 7106SB

FILE NAME: 070UEE7106SBAZ.DWG

REVISED: May 2006

www.oldcastleprecast.com

7'-0" x 10'-6" x 8" Pad
5'-0" x 8'-6" x 78" Box
City of Azusa

Copyright © 2008 Oldcastle Precast, Inc.