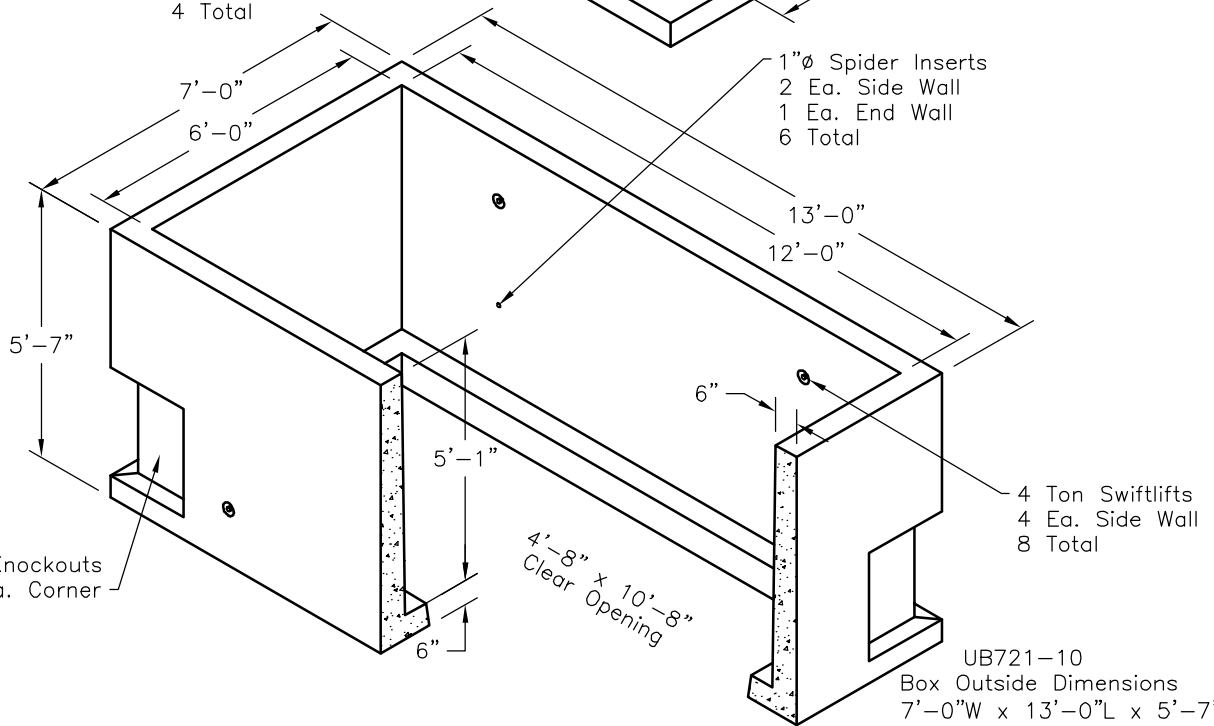
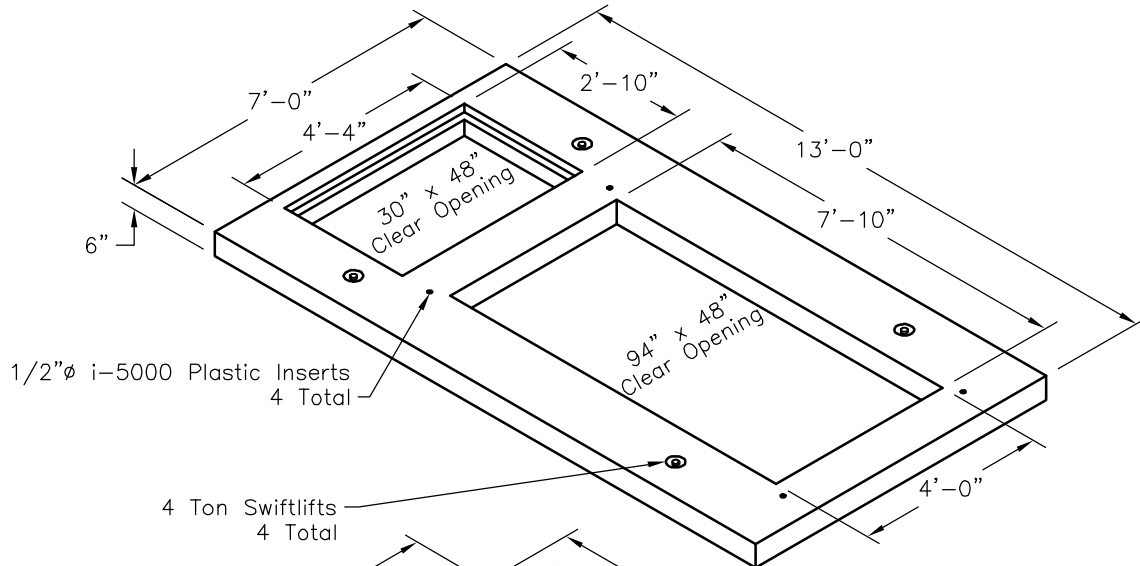
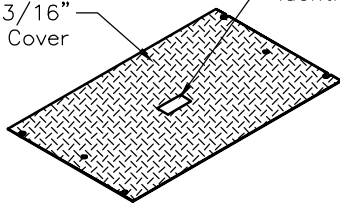


Optional 3/16" Diamond Plate Cover
 Identification Spot



UB721-10
 Box Outside Dimensions
 7'-0"W x 13'-0"L x 5'-7"H
 Box Inside Dimensions
 6'-0"W x 12'-0"L x 5'-1"H
 Pad Dimensions
 7'-0"W x 13'-0"L x 6"H
 Minimum Excavation Is To Be
 12" Larger Than Product On
 All Sides

Approximate Weights
 Base - 16600 Lbs
 Pad - 3700 Lbs

SCALE: 1/4" = 1'-0"



Southern California
 Fontana, San Diego, Santa Paula
 Phone: 800-626-3860 Fax: 909-428-3737

LADWP 71308SB

FILE NAME: 070UEE713SBXLA.DWG

REVISED: May 2006

www.oldcastleprecast.com

7'-0" x 13'-0" x 6" Pad
6'-0" x 12'-0" x 5'-1" Box
Los Angeles D.W.P.

Copyright © 2008 Oldcastle Precast, Inc.