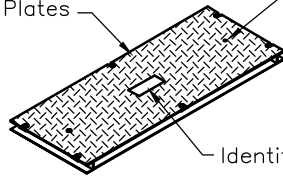


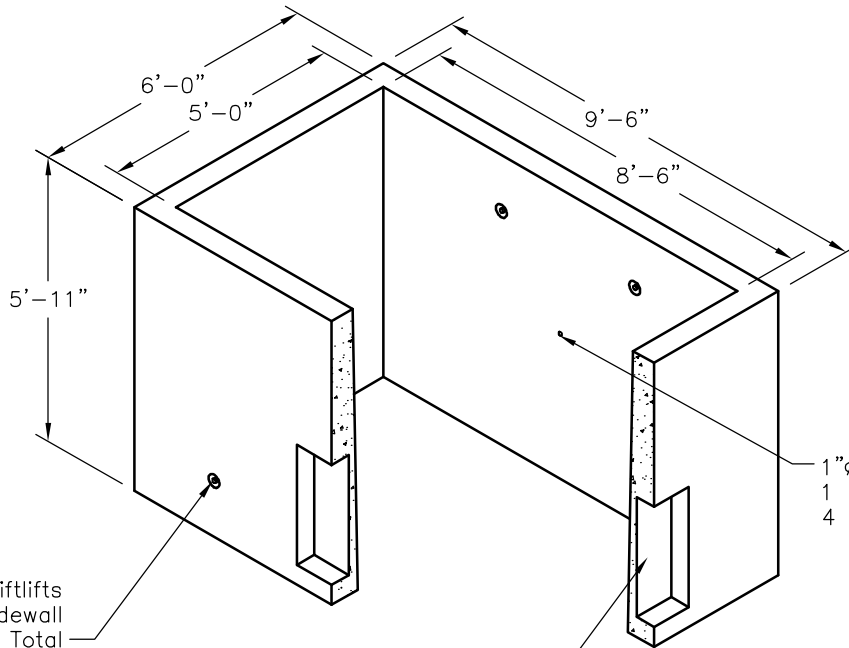
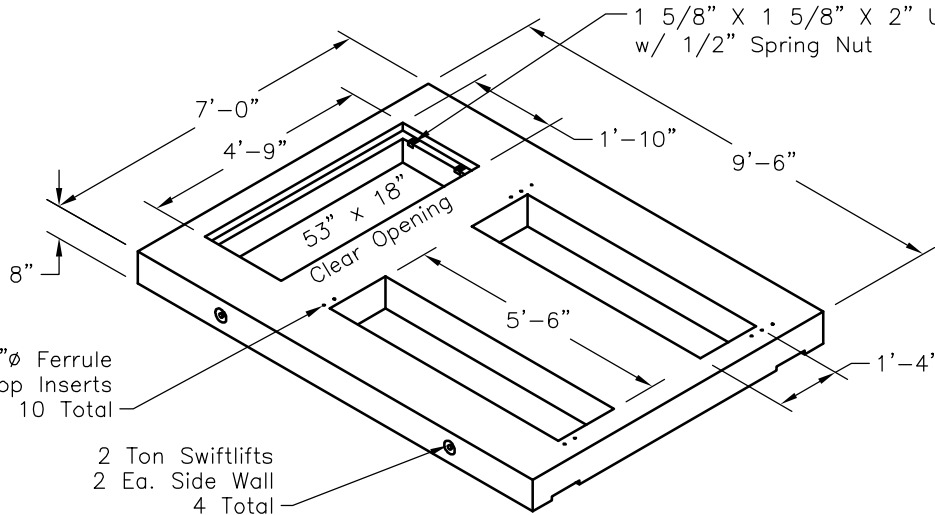
22" x 57" Diamond Plate Steel Galv. & Tamper Proof Plates

1"Ø Pick Hole

Identification Spot



1 5/8" X 1 5/8" X 2" Unistrut w/ 1/2" Spring Nut



Box Outside Dimensions
8'-0"W x 9'-6"L x 5'-11"H
Box Inside Dimensions
5'-0"W x 8'-6"L x 5'-11"H
Pad Dimensions
7'-0"W x 9'-6"L x 8"H
Minimum Excavation Is To Be
12" Larger Than Product On
All Sides

Approximate Weights
Box - 12000 Lbs
Pad - 4500 Lbs

SCALE: 1/4" = 1'-0"



Oldcastle Precast



UTILITY VAULT™ Division

Southern California
Fontana, San Diego, Santa Paula
Phone: 800-626-3860 Fax: 909-428-3737

ANAHEIM 796SB

FILE NAME: 070UEE794SBANA.DWG

ISSUE DATE: May 2001

www.oldcastleprecast.com

7'-0" x 9'-6" x 8" Pad
5'-0" x 8'-6" x 5'-11" Box
City of Anaheim

Copyright © 2008 Oldcastle Precast, Inc.