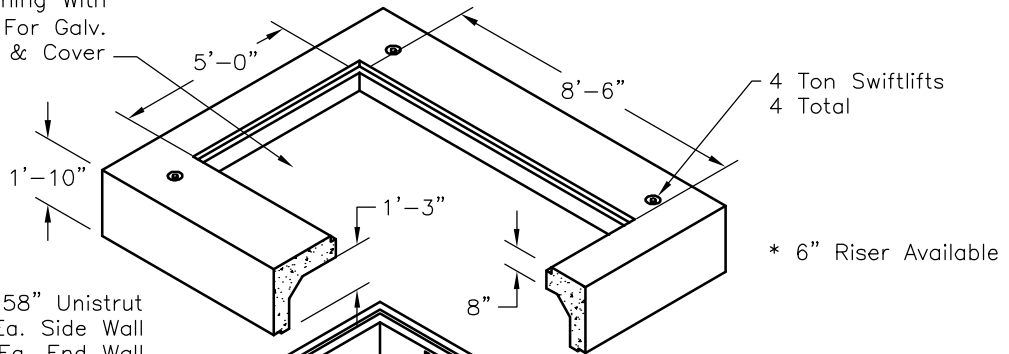
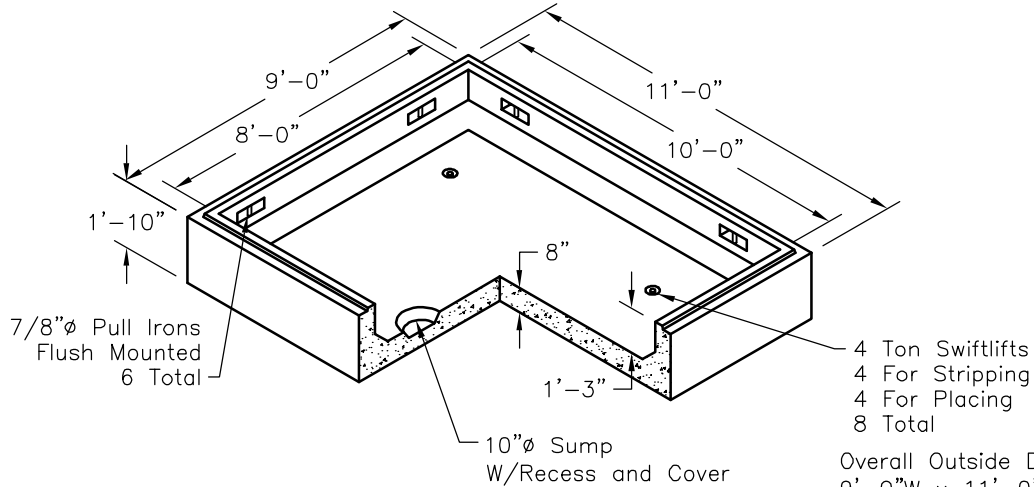
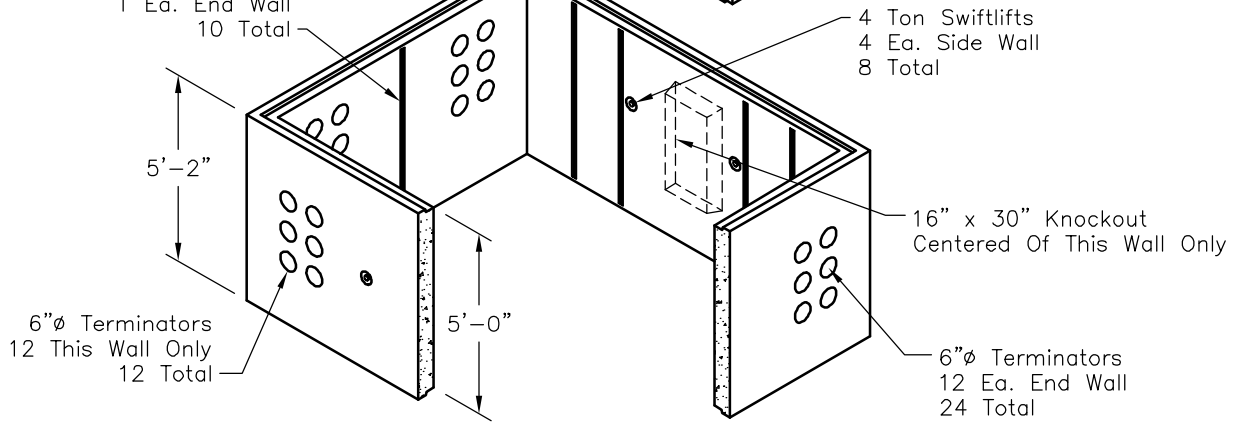


5'-0" x 8'-6" Keyed Opening With
586-12" Riser For Galv.
Drop-In Style Frame & Cover



1 5/8" X 1 5/8" X 58" Unistrut
4 Ea. Side Wall
1 Ea. End Wall
10 Total



Approximate Weights
Top - 10100 Lbs
Base - 15000 Lbs
62" Riser - 14000 Lbs

SCALE: 3/16" = 1'-0"

Overall Outside Dimensions
9'-0"W x 11'-0"L x 8'-10"H
Overall Inside Dimensions
8'-0"W x 10'-0"L x 7'-6"H
Minimum Excavation Is To Be
12" Larger Than Product On
All Sides



Southern California
Fontana, San Diego, Santa Paula
Phone: 800-626-3860 Fax: 909-428-3737

ANAHEIM 81090VLT

FILE NAME: 070UEE81090VAN.DWG

ISSUE DATE: May 2001

www.oldcastleprecast.com

**8'-0" x 10'-0" x 7'-6"
Parkway / Indirect
Traffic Vault Anaheim**

Copyright © 2008 Oldcastle Precast, Inc.