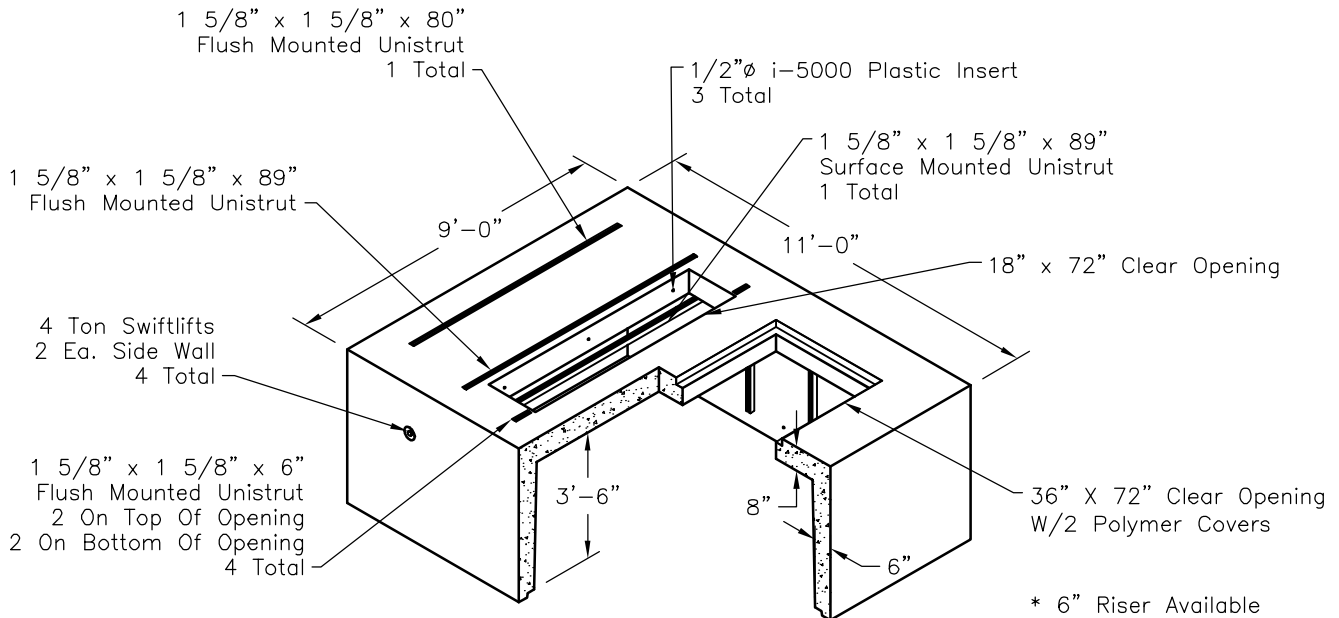
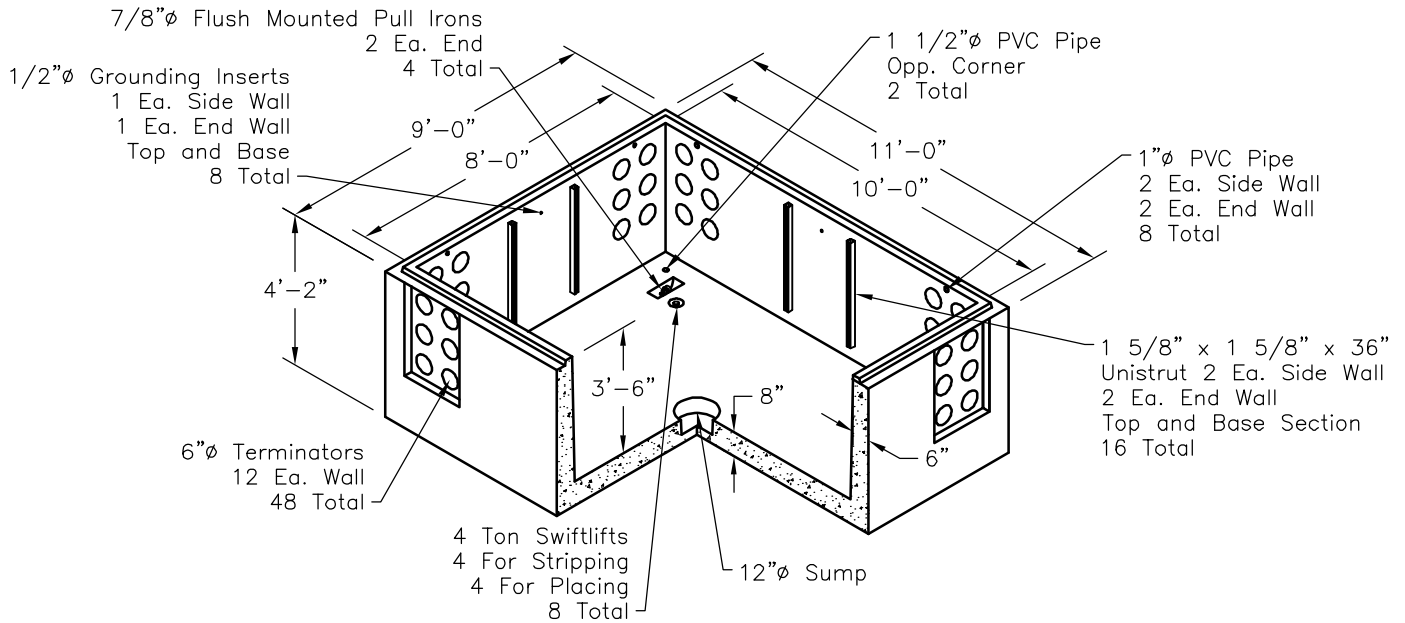


Top Section has Double 1"Ø Spider Inserts, 2 Ea. Side Wall and 2 Ea. Side Wall, 8 Total Not Visible on Drawing



* 6" Riser Available



CU-1600-18
 Overall Outside Dimensions
 9'-0"W x 11'-0"L x 8'-4"H
 Overall Inside Dimensions
 8'-0"W x 10'-0"L x 7'-0"H
 Minimum Excavation Is To Be
 12" Larger Than Product On
 All Sides

Approximate Weights
 Top - 17200 Lbs
 Base - 19200 Lbs

SCALE: 3/16" = 1'-0"

Oldcastle Precast
 UV UTILITY VAULT Division
 Southern California
 Fontana, San Diego, Santa Paula
 Phone: 800-626-3860 Fax: 909-428-3737

ANAHEIM 81084VLT
 FILE NAME: 070UEE81084VAN.DWG
 ISSUE DATE: June 2004
www.oldcastleprecast.com

8'-0" x 10'-0" x 7'-0"
Padmount Switch Vault
City of Anaheim

Copyright © 2008 Oldcastle Precast, Inc.