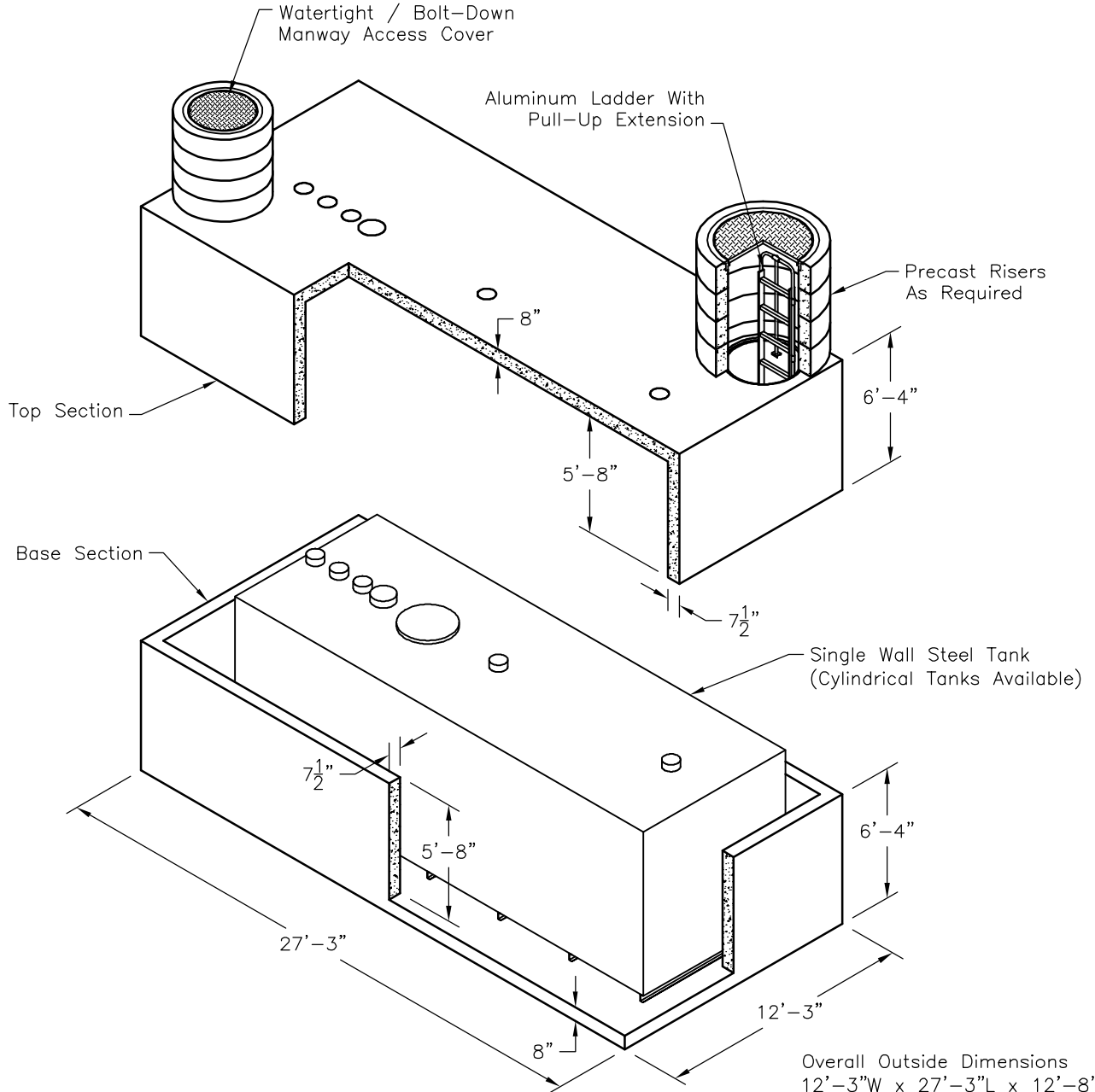




NOTE: Penetrations and Tank Dimensions Shown Are For Illustration Purposes Only. Actual Penetration Sizes & Locations and Tank Dimensions & Capacity Will Vary According To Customer's needs.



Approximate Weights
 Top - 73000 Lbs
 Base - 74000 Lbs

SCALE: 1/8" = 1'-0"

Overall Outside Dimensions
 12'-3"W x 27'-3"L x 12'-8"H
 Overall Inside Dimensions
 11'-0"W x 26'-0"L x 11'-4"H
 Minimum Excavation Is To Be
 12" Larger Than Product On
 All Sides



Southern California
 Fontana, San Diego, Santa Paula
 Phone: 800-626-3860 Fax: 909-428-3737

ContVlt 1126136CV

FILE NAME: 070UEE1126CVFV.DWG

ISSUE DATE: September 2001

www.oldcastleprecast.com

**11'-0" x 26'-0" x 11'-4"
 Secondary Containment
 Standard Layout**

Copyright © 2008 Oldcastle Precast, Inc.