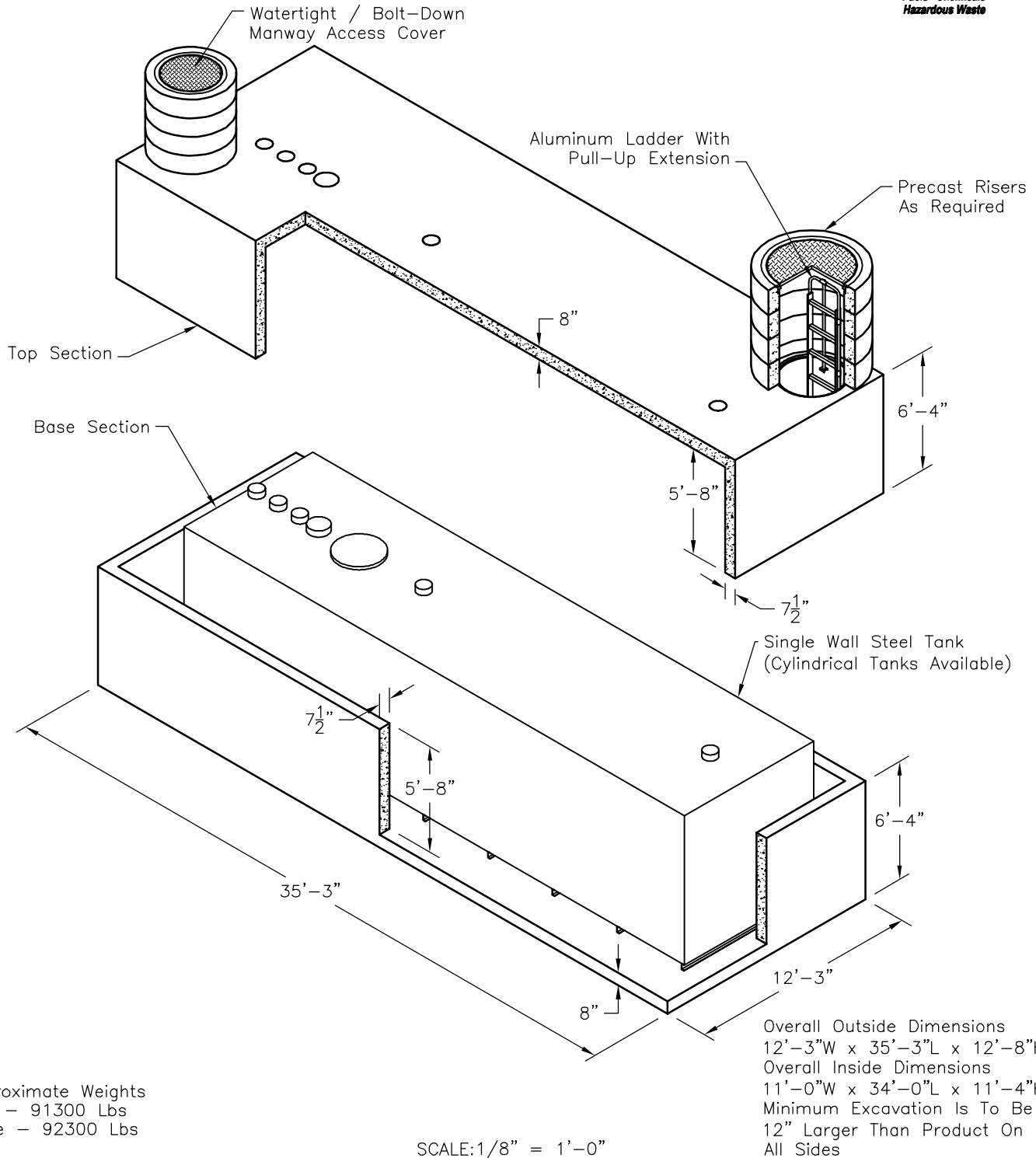




NOTE: Penetrations and Tank Dimensions Shown Are For Illustration Purposes Only. Actual Penetration Sizes & Locations and Tank Dimensions & Capacity Will Vary According To Customer's needs.



Approximate Weights  
 Top - 91300 Lbs  
 Base - 92300 Lbs

SCALE: 1/8" = 1'-0"

**Oldcastle Precast**  
 UTILITY VAULT™ Division  
 Southern California  
 Fontana, San Diego, Santa Paula  
 Phone: 800-626-3860 Fax: 909-428-3737

**ContVlt 1134136CV**

FILE NAME: 070UEE1134CVFV.DWG

ISSUE DATE: September 2001

[www.oldcastleprecast.com](http://www.oldcastleprecast.com)

**11'-0" x 34'-0" x 11'-4"**  
**Secondary Containment**  
**Standard Layout**

Copyright © 2008 Oldcastle Precast, Inc.