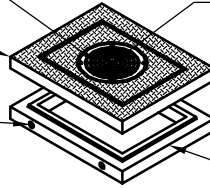


Traffic Cover and Frame
AFCO A1106 or Equal

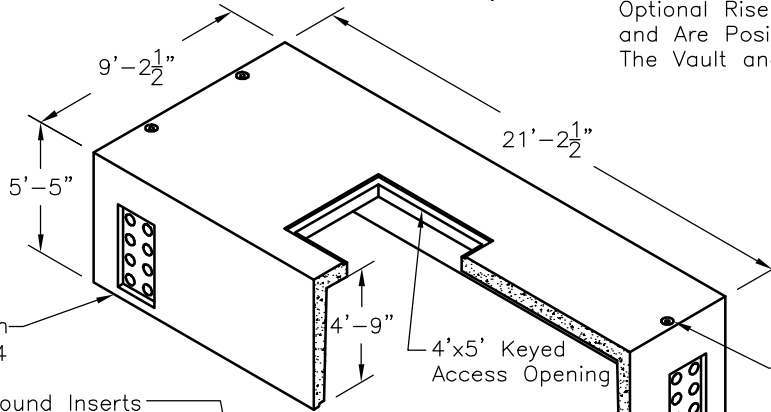
4' x 5' x 8" Plug

2 Ton Swiftlifts
2 Ea. Side Wall
4 Total

Identification Spot



4' x 5' x 12" Neck Ring
Optional Risers Are Available
and Are Positioned Between
The Vault and The Neck Ring



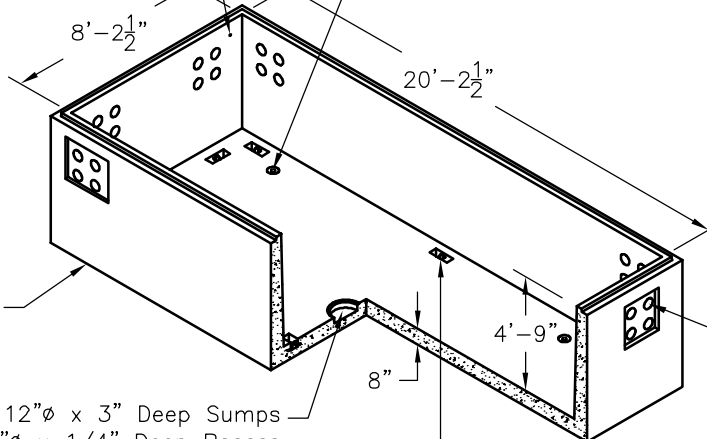
Top Section
Stock #475904

1/2"Ø Bronze Ground Inserts
Braze To Reinforcement Bars
2 In Top, 2 In Base
4 Total

10 Ton Lifting Eye Anchors
4 On Top
4 At Bottom
8 Total

8 Ton Swiftlifts
4 Total

5"Ø Terminators
16 Ea. Wall
64 Total



Base Section
Stock #475904

12"Ø x 3" Deep Sumps
15"Ø x 1/4" Deep Recess
For Sump Cover

5"Ø Terminators
8 Ea. Wall
32 Total

7/8"Ø Pull Irons
2 Ea. End Wall
3 Ea. Side Wall
10 Total

Overall Outside Dimensions
9'-2 1/2"W x 21'-2 1/2"L x 10'-10"H
Overall Inside Dimensions
8'-0"W x 20'-0"L x 9'-6"H
Minimum Excavation Is To Be
12" Larger Than Product On
All Sides

Approximate Weights
Top - 39900 Lbs
Base - 42200 Lbs

SCALE: 1/8" = 1'-0"



Southern California
Fontana, San Diego, Santa Paula
Phone: 800-626-3860 Fax: 909-428-3737

SDG&E 820114DV

FILE NAME: 070UEE820DVTSD.DWG

ISSUE DATE: June 2004

www.oldcastleprecast.com

8'-0" x 20'-0" x 9'-6"
3326 Distribution Vault
San Diego Gas & Electric

Copyright © 2008 Oldcastle Precast, Inc.