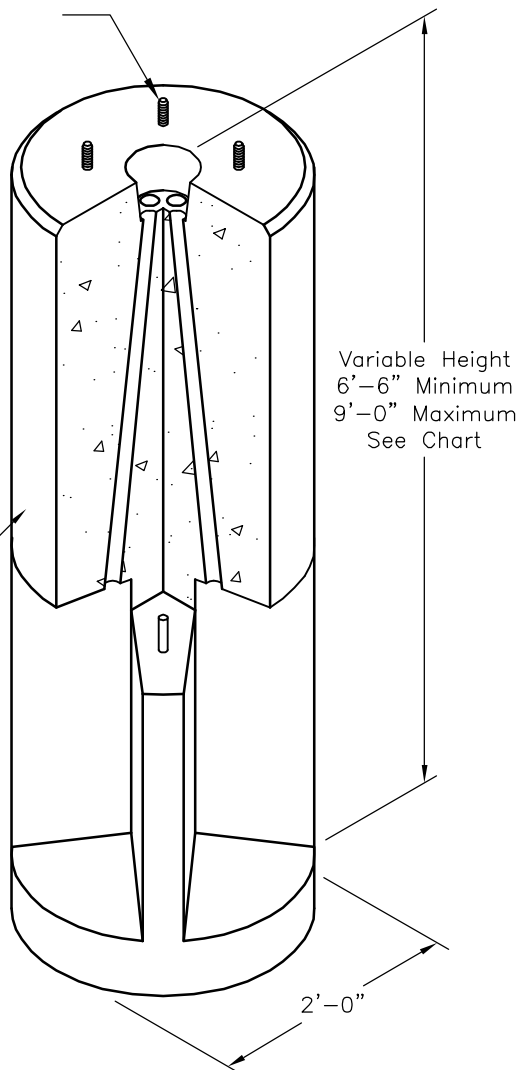


Anchor Bolts
Size and Spacing As Required
Customer To Supply

Lamp Base No. 24R-V-LB-P
See Chart For Weights



Variable Height
6'-6" Minimum
9'-0" Maximum
See Chart

2'-0"

SCALE: 1" = 1'-0"

24R-V-LB-P CHART		
Model No.	Height	Weight
24R-66-LB-P	6'-6"	2380 Lbs
24R-7-LB-P	7'-0"	2610 Lbs
24R-8-LB-P	8'-0"	3080 Lbs
24R-9-LB-P	9'-0"	3550 Lbs



Oldcastle Precast



UTILITY VAULT Division

Southern California
Fontana, San Diego, Santa Paula
Phone: 800-626-3860 Fax: 909-428-3737

24RVLBP

FILE NAME: 070UEF24RVLBP.F.DWG

ISSUE DATE: October 2001

www.oldcastleprecast.com

**24R-V-LB-P Lamp Base
Standard Layout**

Copyright © 2008 Oldcastle Precast, Inc.