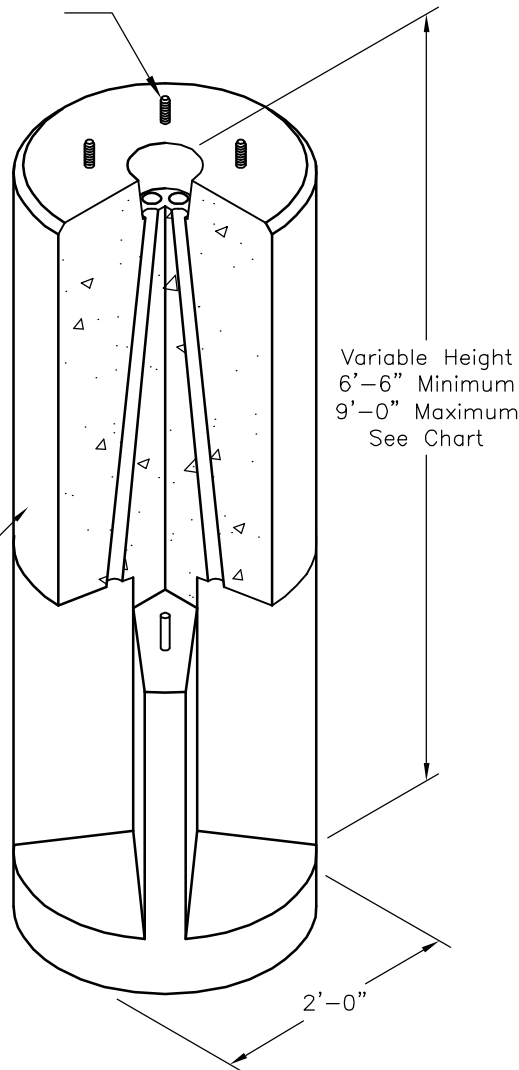


Anchor Bolts  
Size and Spacing As Required  
Customer To Supply

Lamp Base No. 24R-V-LB-P  
See Chart For Weights




Variable Height  
6'-6" Minimum  
9'-0" Maximum  
See Chart

2'-0"

SCALE: 1" = 1'-0"

24R-V-LB-P CHART

Model No.	Height	Weight
24R-66-LB-P	6'-6"	2380 Lbs
24R-7-LB-P	7'-0"	2610 Lbs
24R-8-LB-P	8'-0"	3080 Lbs
24R-9-LB-P	9'-0"	3550 Lbs

**Oldcastle Precast**  
 **UTILITY VAULT**™ Division  
 Southern California  
 Fontana, San Diego, Santa Paula  
 Phone: 800-626-3860 Fax: 909-428-3737

**24RVLBP**

FILE NAME: 070UEF24RVLBP.DWG

ISSUE DATE: October 2001

[www.oldcastleprecast.com](http://www.oldcastleprecast.com)

**24R-V-LB-P Lamp Base  
Standard Layout**

Copyright © 2008 **Oldcastle** Precast, Inc.