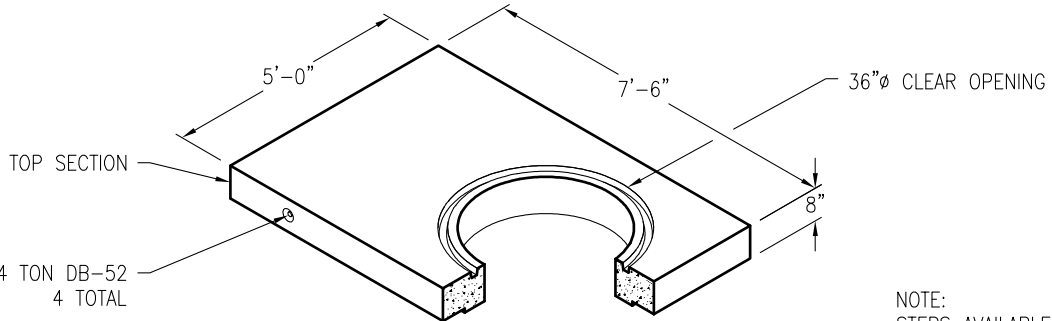
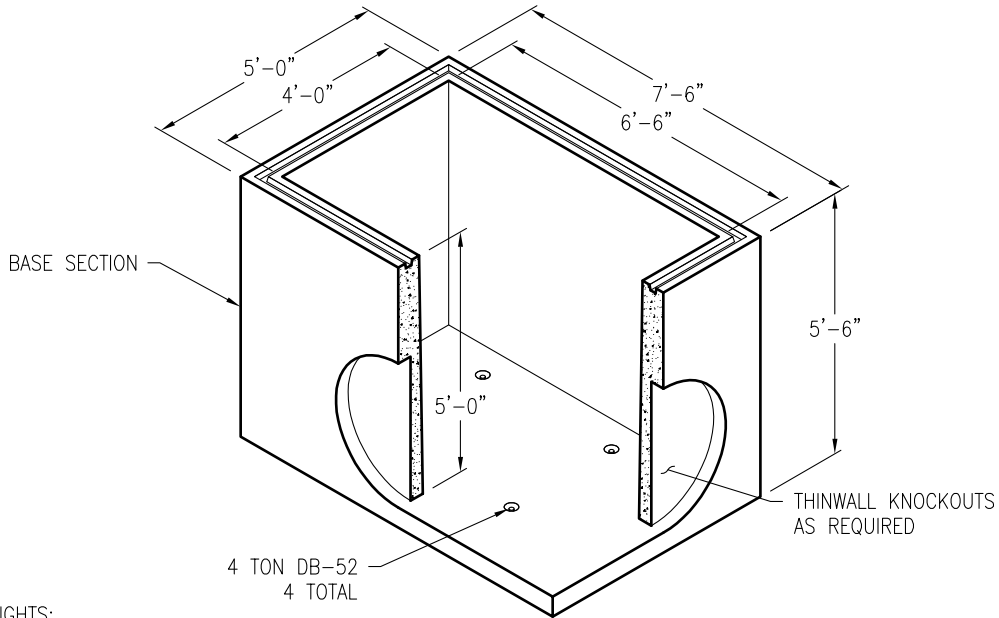
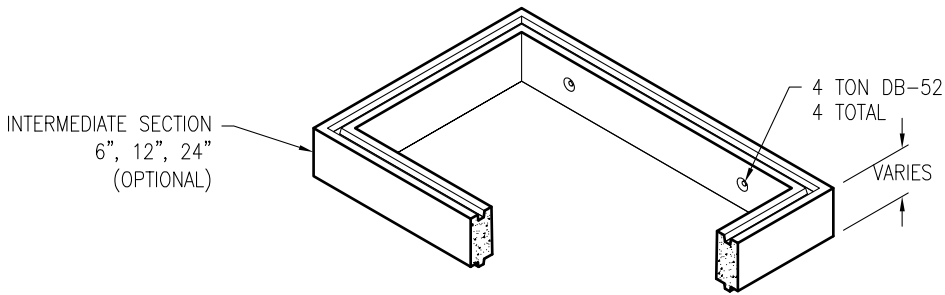


36"Ø FRAME & COVER
TRAFFIC RATED
(MARKINGS AS REQUIRED)



NOTE:
STEPS AVAILABLE AS
REQUIRED BY AGENCY



APPROXIMATE WEIGHTS:
TOP - 3,050 LBS
6" RISER - 870 LBS
12" RISER - 1,730 LBS
24" RISER - 3,450 LBS
BASE - 10,950 LBS

OVERALL OUTSIDE DIMENSIONS
7'-6" X 5'-0" X 6'-8" TO 8'-2"
OVERALL INSIDE DIMENSIONS
6'-6" X 4'-0" X 5'-6" TO 7'-0"



Oldcastle Precast®

Southern California
Fontana ■ Lakeside ■ Perris ■ San Diego ■ Santa Paula
Phone: 800-626-3860 Fax: 877-797-0750

4878COA5

FILE NAME: 0704878SDCOA5.DWG

REVISED: Jun-15

www.oldcastleprecast.com

48" X 78"
CLEANOUT TYPE A5
STORM DRAIN

Copyright © 2015 Oldcastle Precast, Inc.®