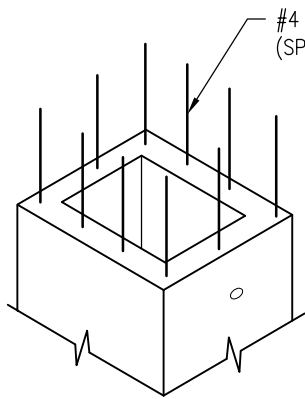


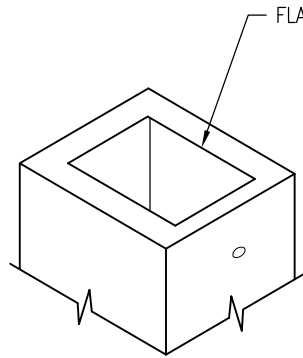
1 PEDESTRIAN OR TRAFFIC FRAME AND GRATE

2 STANDARD CHECKERED PLATE COVER

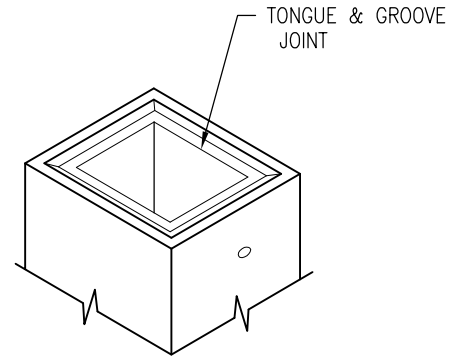
3 REINFORCED CHECKERED PLATE COVER



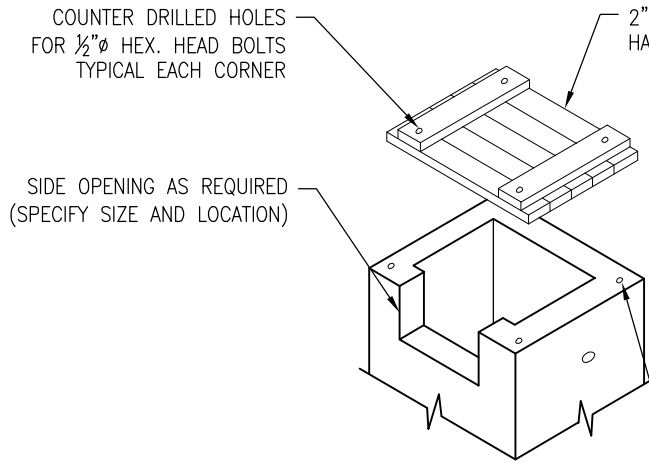
4 FLAT TOP WITH PROTRUDING REBAR



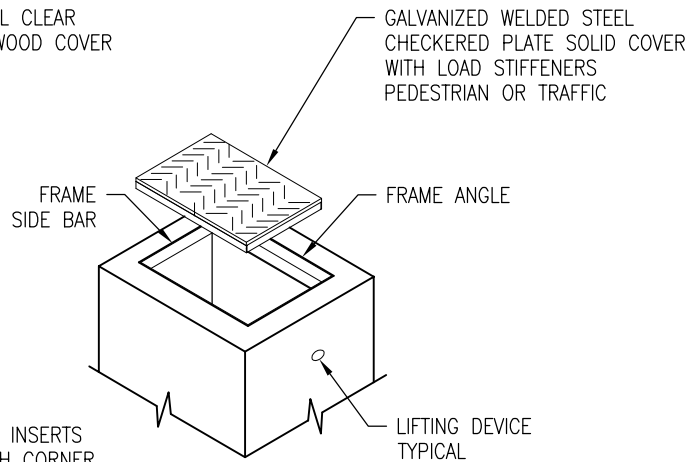
5 FLAT TOP



6 TONGUE & GROOVE JOINT



7 REDWOOD COVER AND SIDE OPENINGS



8 SOLID DROP-IN

DRAWING MAY NOT CONFORM TO THE MOST CURRENT SPECIFICATION