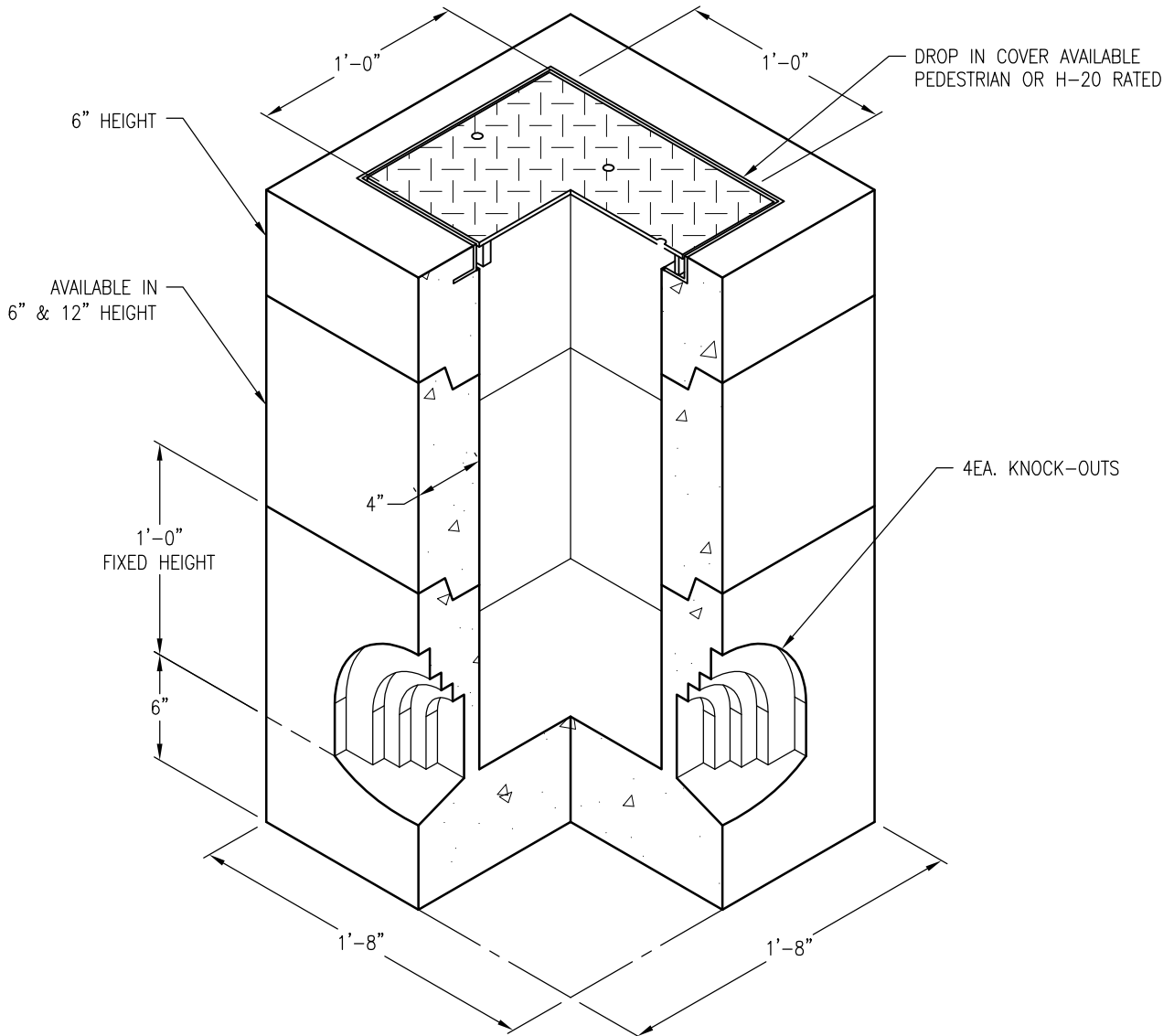


DROP IN GRATE AVAILABLE
PEDESTRIAN OR H-20 RATED



VERTICAL WEIGHT PER FOOT: 270 LBS.
FLOOR WEIGHT: 210 LBS.

DRAWING MAY NOT CONFORM TO THE
MOST CURRENT SPECIFICATION



Oldcastle Precast[®]

Northern California

Madera ■ Morgan Hill ■ Pleasanton ■ Santa Rosa ■ Stockton ■ Tulare
Phone: 925-750-6650 Fax: 925-750-6660

KOB-1212

FILE NAME: SD-17.DWG

REVISED: MARCH 2016

www.oldcastleprecast.com

**1'-0" X 1'-0" X VARIES (I.D.)
KNOCK-OUT BASES
STORM DRAIN**

Copyright © 2016 **Oldcastle** Precast, Inc.