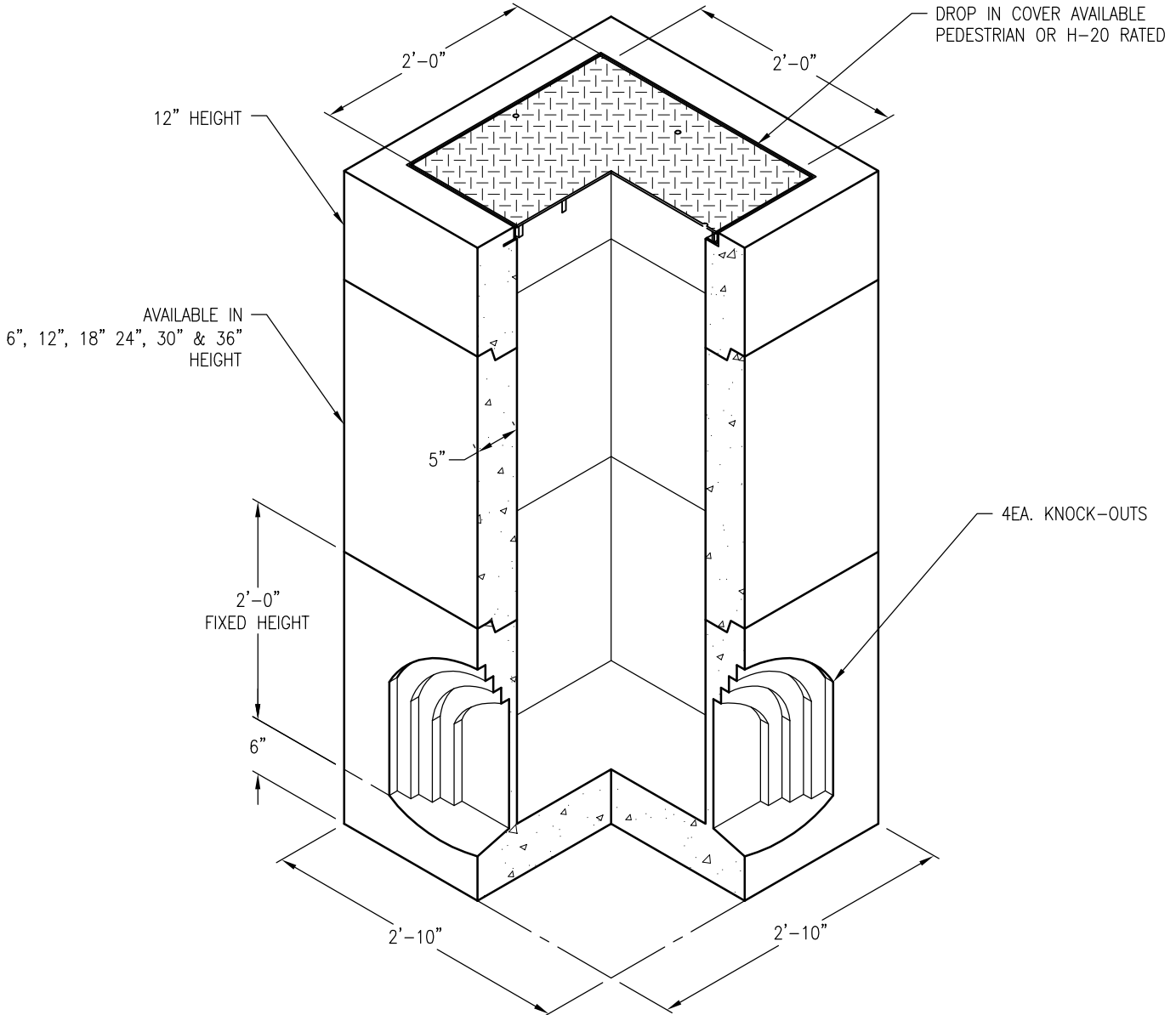


DROP IN GRATE AVAILABLE
PEDESTRIAN OR H-20 RATED



VERTICAL WEIGHT PER FOOT: 615 LBS.
FLOOR WEIGHT: 610 LBS.

DRAWING MAY NOT CONFORM TO THE
MOST CURRENT SPECIFICATION



Oldcastle Precast[®]

Northern California

Madera ■ Morgan Hill ■ Pleasanton ■ Santa Rosa ■ Stockton ■ Tulare
Phone: 925-750-6650 Fax: 925-750-6660

KOB-2424

FILE NAME: SD-19.DWG

REVISED: MARCH 2016

www.oldcastleprecast.com

2'-0" X 2'-0" X VARIES (I.D.)
KNOCK-OUT BASES
STORM DRAIN

Copyright © 2016 Oldcastle[®] Precast, Inc.