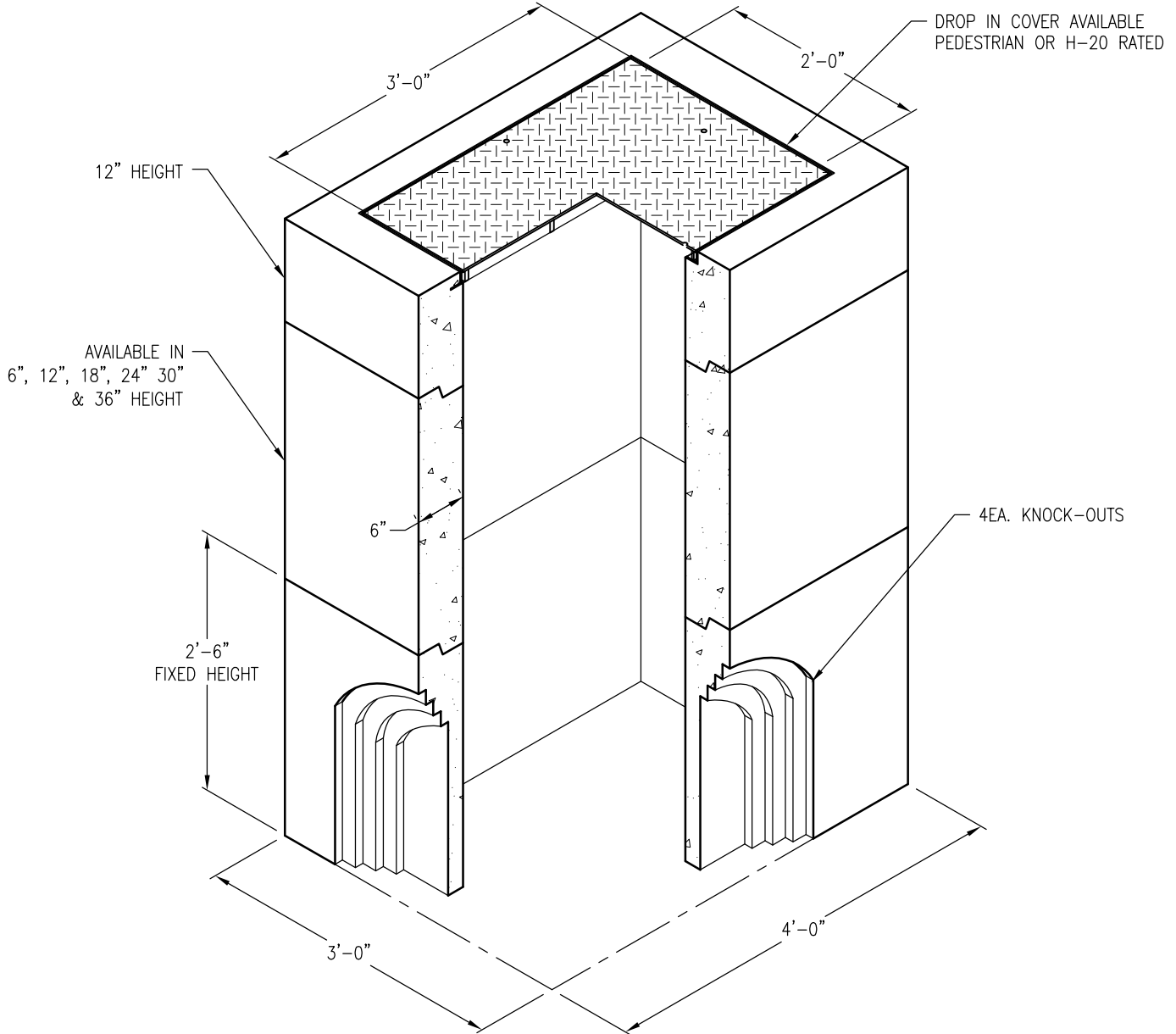


DROP IN GRATE AVAILABLE  
PEDESTRIAN OR H-20 RATED



DROP IN COVER AVAILABLE  
PEDESTRIAN OR H-20 RATED

12" HEIGHT

AVAILABLE IN  
6", 12", 18", 24" 30"  
& 36" HEIGHT

2'-6"  
FIXED HEIGHT

6"

4EA. KNOCK-OUTS

3'-0"

4'-0"

VERTICAL WEIGHT PER FOOT: 920 LBS.

DRAWING MAY NOT CONFORM TO THE  
MOST CURRENT SPECIFICATION



**Oldcastle Precast**®

Northern California

Madera ■ Morgan Hill ■ Pleasanton ■ Santa Rosa ■ Stockton ■ Tulare  
Phone: 925-750-6650 Fax: 925-750-6660

KOB-2436

FILE NAME: SD-22.DWG

REVISED: MARCH 2016

[www.oldcastleprecast.com](http://www.oldcastleprecast.com)

2'-0" X 3'-0" X VARIES (I.D.)  
KNOCK-OUT WALLS  
STORM DRAIN

Copyright © 2016 Oldcastle Precast, Inc.