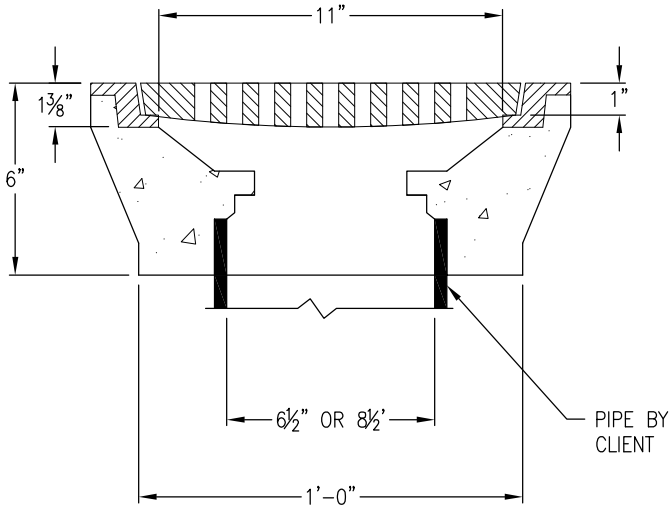


SBF 12RBT BOLT DOWN
 ADA COMPLIANT
 FRAME AND GRATE



PIPE BY
 CLIENT

6"Ø RBT DRAIN WEIGHT: 45LBS.
 8"Ø RBT DRAIN WEIGHT: 45LBS.

DRAWING MAY NOT CONFORM TO THE
 MOST CURRENT SPECIFICATION



Oldcastle Precast

Northern California

Madera ■ Morgan Hill ■ Pleasanton ■ Santa Rosa ■ Stockton ■ Tulare
 Phone: 925-750-6650 Fax: 925-750-6660

RBT DRAINS

FILE NAME: SD-27.DWG

REVISED: MARCH 2016

www.oldcastleprecast.com

**6"Ø, 8"Ø RBT DRAIN
 AREA DRAIN
 STORM DRAIN**

Copyright © 2016 **Oldcastle** Precast, Inc.