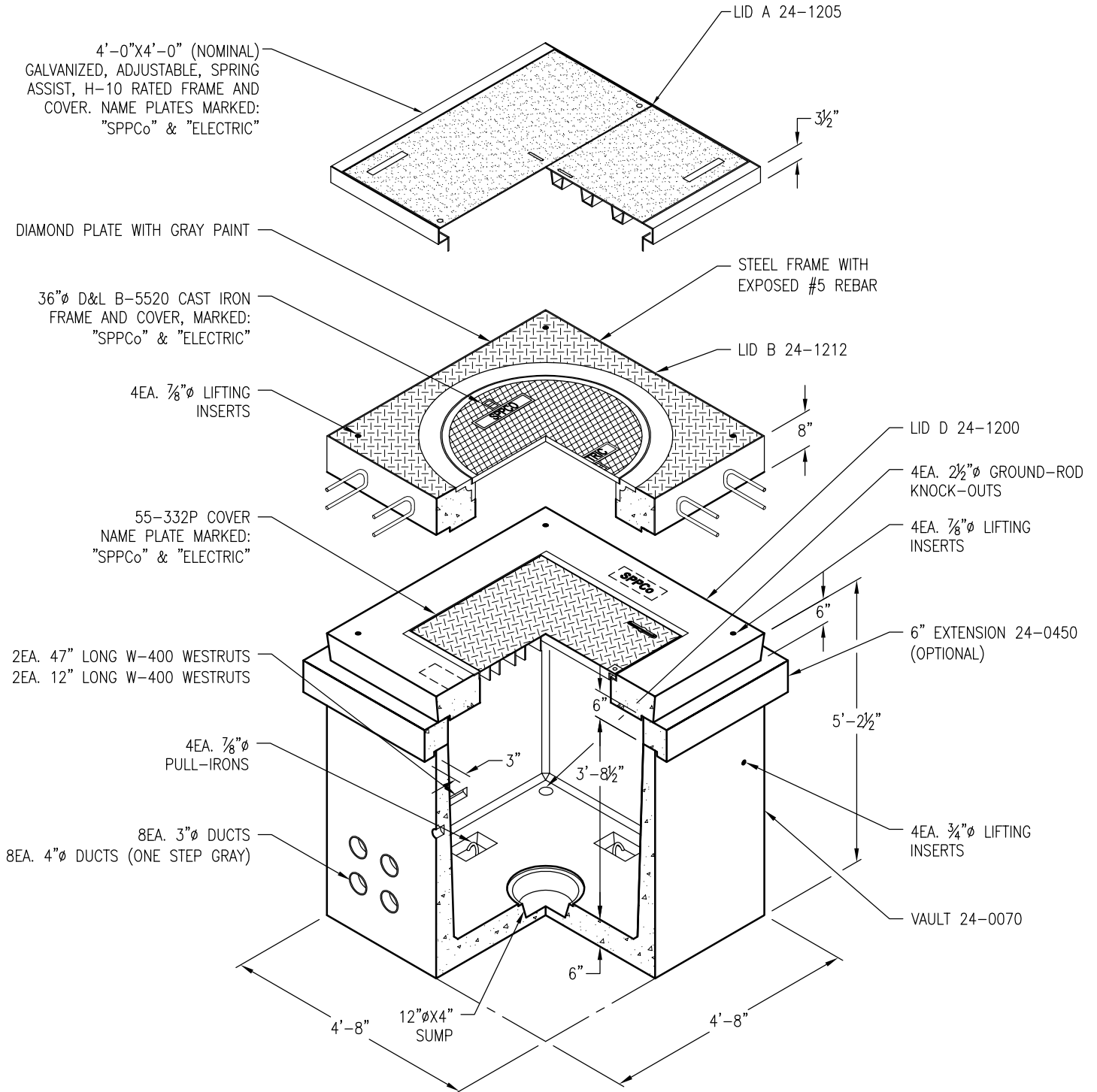


NOT SHOWN:

- 6EA. 1/2"Ø GROUNDING INSERTS
- 2EA. OUTSIDE, 4EA. INSIDE
- 4EA. 1/2"Ø PLASTIC INSERTS

SPPC-1



VAULT WEIGHT: 4,550 LBS.

DRAWING MAY NOT CONFORM TO THE MOST CURRENT SPECIFICATION

Oldcastle Precast[®]

Northern California
 Madera ■ Morgan Hill ■ Pleasanton ■ Santa Rosa ■ Stockton ■ Tulare
 Phone: 925-750-6650 Fax: 925-750-6660

SPPCo-504
FILE NAME: SPPC-1.DWG
REVISED: MARCH 2016
www.oldcastleprecast.com

4'-2" X 4'-2" X 3'-8 1/2" (I.D.)
 UTILITY VAULT
 SIERRA PACIFIC

Copyright © 2016 Oldcastle Precast, Inc.