

NOT SHOWN:

20EA. 1/2"Ø GROUNDING INSERTS

2EA. 1/2"Ø PLASTIC INSERTS

SPPC-4

30"Ø D&L B-5520 CAST IRON
FRAME AND COVER MARKED:
"SPPCo" & "ELECTRIC"

LID B-1 WITH VAULT TOP 24-1305

OPTIONAL: GRADE RINGS AVAILABLE IN 6"
AND 12"

8EA. 4-TON SWIFT LIFTS

36"Ø ACCESS WITH GRADE RING GROOVE

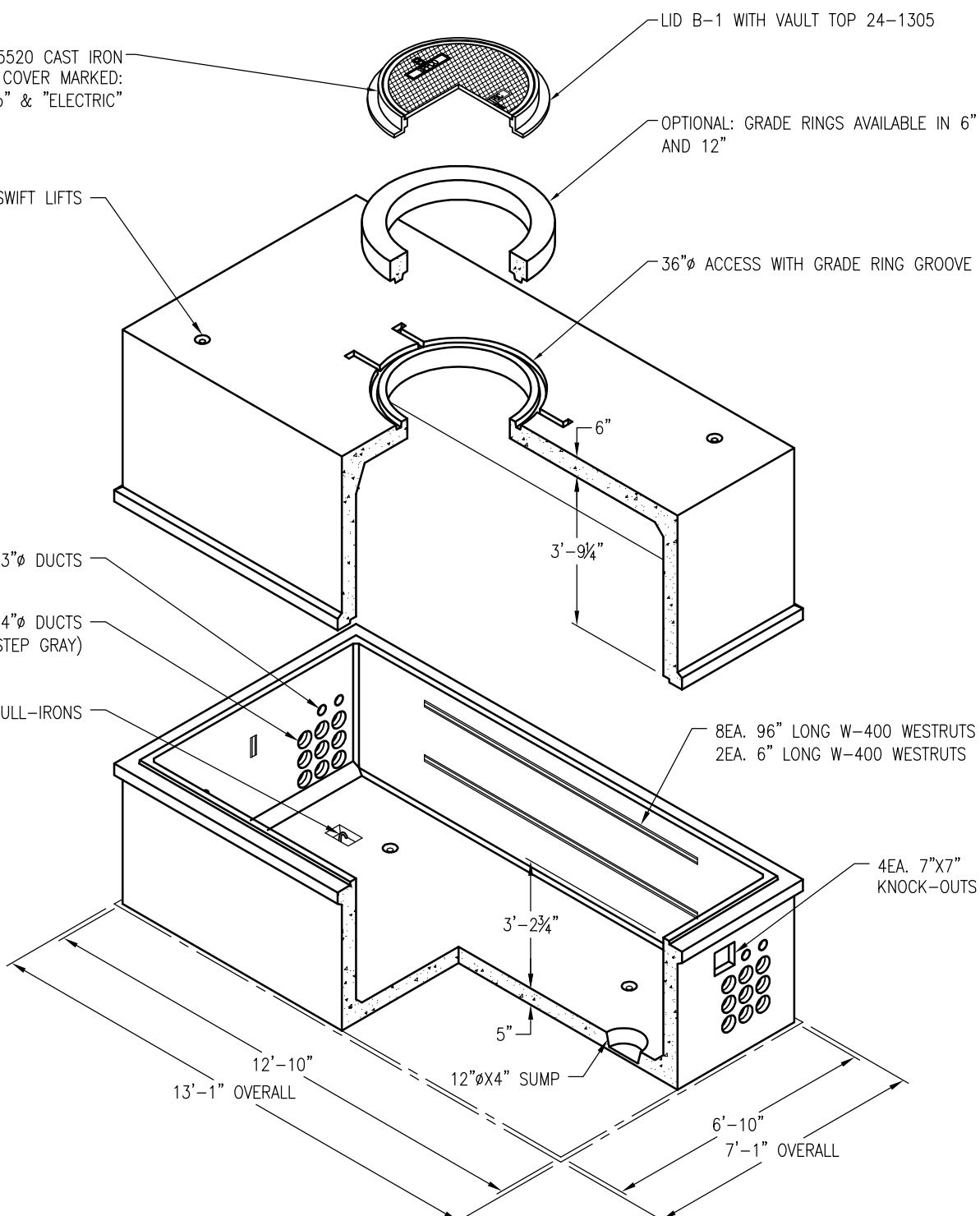
8EA. 3"Ø DUCTS

36EA. 4"Ø DUCTS
(ONE STEP GRAY)

4EA. 7/8"Ø PULL-IRONS

8EA. 96" LONG W-400 WESTRUTS
2EA. 6" LONG W-400 WESTRUTS

4EA. 7"X7"
KNOCK-OUTS



12'-10"
13'-1" OVERALL

3'-2 3/4"
5"

6'-10"
7'-1" OVERALL

TOP SECTION WEIGHT: 16,380 LBS.
BASE SECTION WEIGHT: 14,500 LBS.

DRAWING MAY NOT CONFORM TO THE
MOST CURRENT SPECIFICATION

Oldcastle Precast[®]
Northern California
Madera ■ Morgan Hill ■ Pleasanton ■ Santa Rosa ■ Stockton ■ Tulare
Phone: 925-750-6650 Fax: 925-750-6660

SPPCo-38Y612
FILE NAME: SPPC-4.DWG
REVISED: MARCH 2016
www.oldcastleprecast.com

**6'-0" X 12'-0" X 7'-0" (I.D.)
UTILITY VAULT
SIERRA PACIFIC**
Copyright © 2016 **Oldcastle** Precast, Inc.