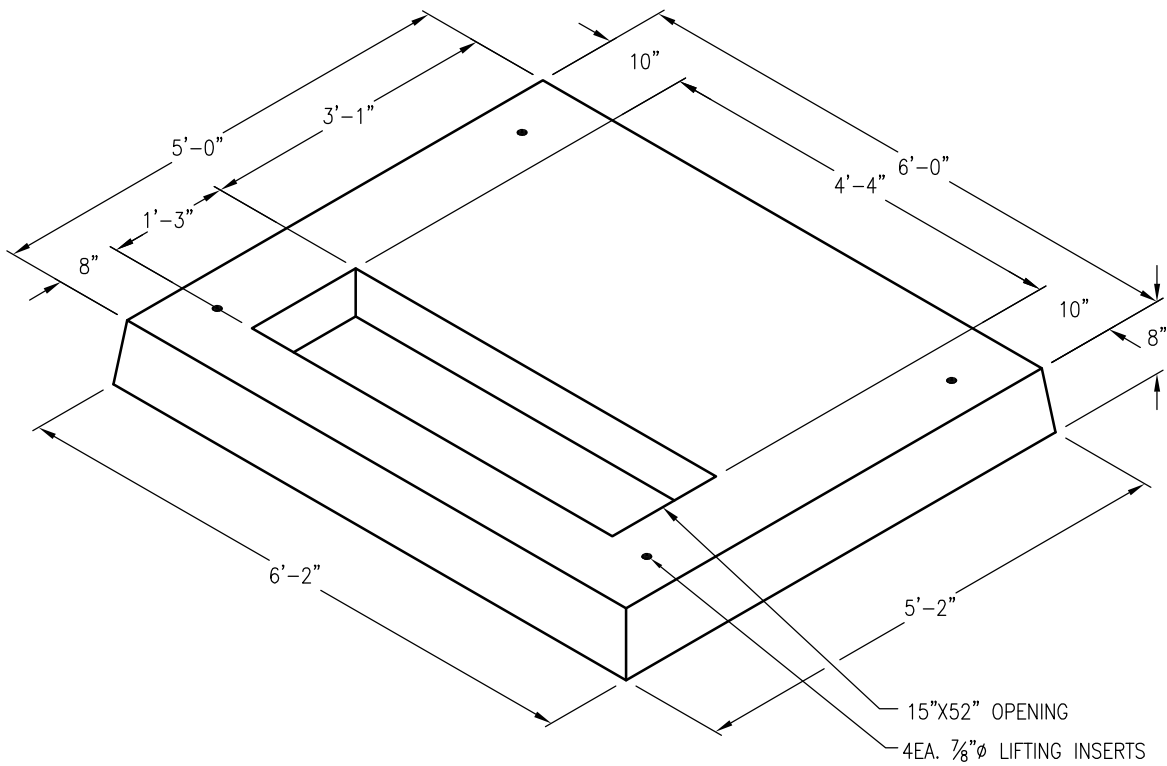
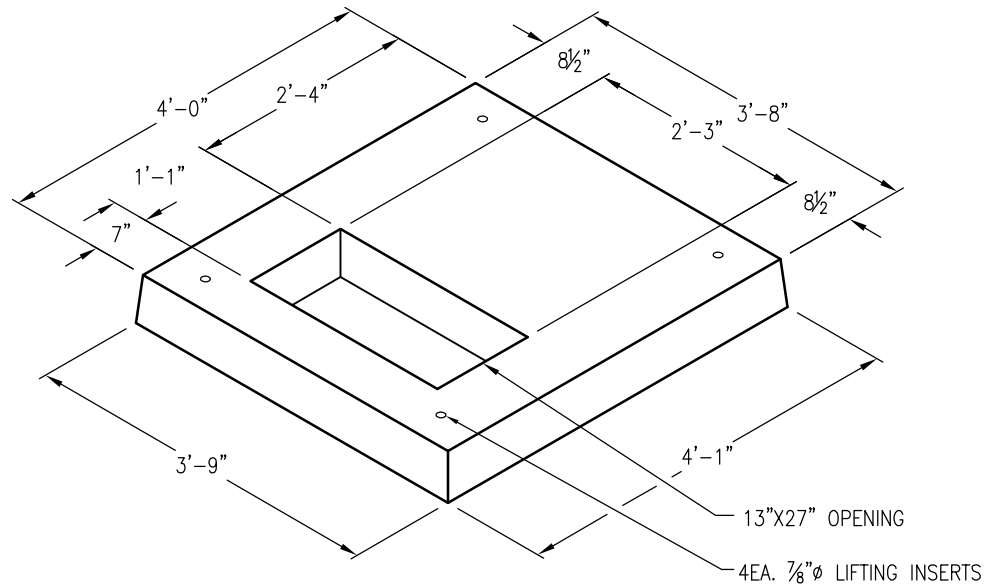


SPPCo PE0003U TRANSFORMER PAD  
 3'-8"X4'-0"X0'-6" O.D. PAD  
 24-0692  
 PAD WEIGHT: 935 LBS.

SPPC-6



SPPCo PE0003U TRANSFORMER PAD  
 6'-0"X5'-0"X0'-8" O.D. PAD  
 24-0697  
 PAD WEIGHT: 2,700 LBS.

DRAWING MAY NOT CONFORM TO THE  
 MOST CURRENT SPECIFICATION



**Oldcastle Precast**<sup>®</sup>  
 Northern California  
 Madera ■ Morgan Hill ■ Pleasanton ■ Santa Rosa ■ Stockton ■ Tulare  
 Phone: 925-750-6650 Fax: 925-750-6660

PE0001U & PE0003U
FILE NAME: SPPC-6.DWG
REVISED: MARCH 2016
<a href="http://www.oldcastleprecast.com">www.oldcastleprecast.com</a>

3'-8" X 4'-0" X 0'-6" (O.D.)  
 6'-0" X 5'-0" X 0'-8" (O.D.)  
**SIERRA PACIFIC TRAN PADS**  
 Copyright © 2016 **Oldcastle** Precast, Inc.