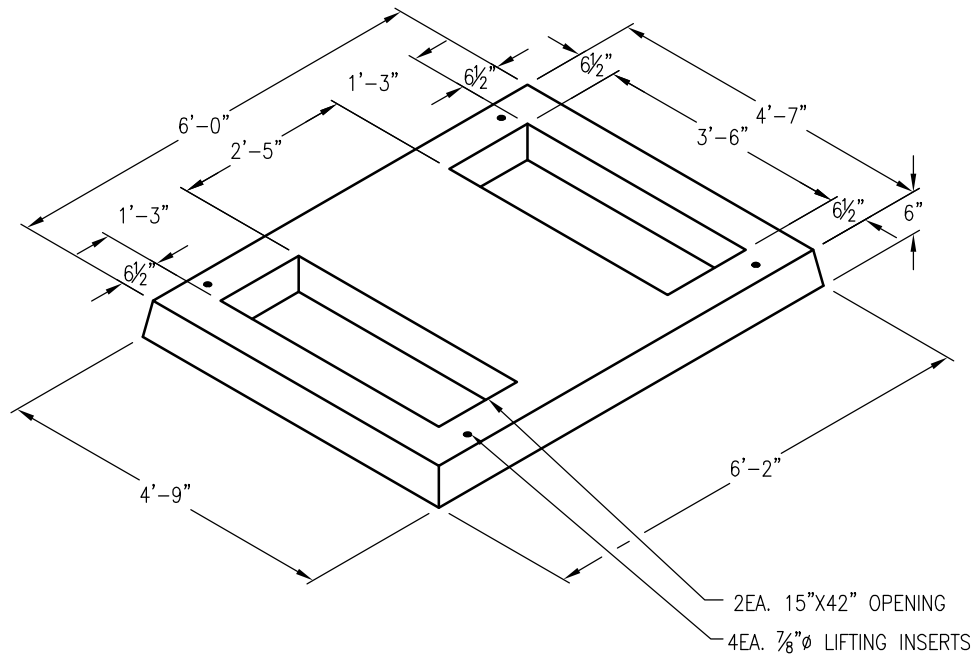
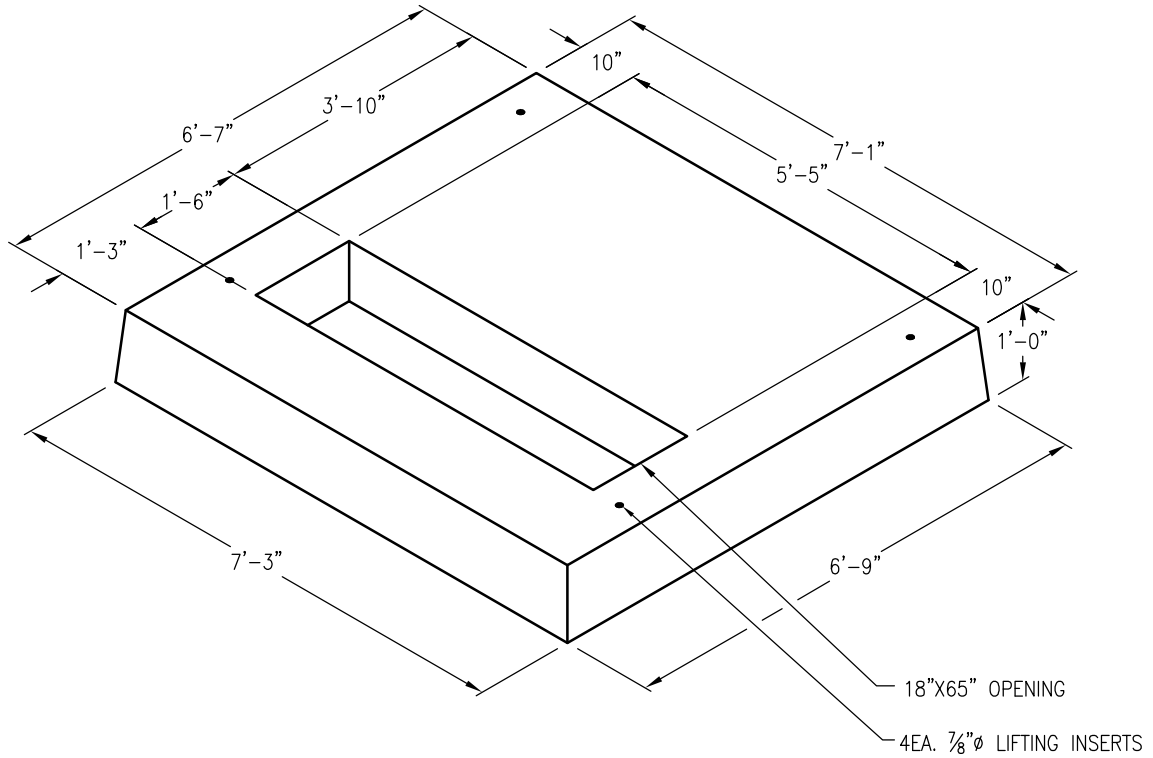


SPPCo PE0006U TRANSFORMER PAD  
 7'-1"X6'-7"X1'-0" O.D. PAD  
 24-0697  
 PAD WEIGHT: 6,250 LBS.

SPPC-7



SPPCo PE0012U TRANSFORMER PAD  
 4'-7"X6'-0"X0'-6" O.D. PAD  
 24-0726  
 PAD WEIGHT: 1,550 LBS.

DRAWING MAY NOT CONFORM TO THE  
 MOST CURRENT SPECIFICATION

 **Oldcastle Precast**<sup>®</sup>  
 Northern California  
 Madera ■ Morgan Hill ■ Pleasanton ■ Santa Rosa ■ Stockton ■ Tulare  
 Phone: 925-750-6650 Fax: 925-750-6660

PE0006U & PE0012U  
 FILE NAME: SPPC-7.DWG  
 REVISED: MARCH 2016  
[www.oldcastleprecast.com](http://www.oldcastleprecast.com)

7'-1" X 6'-7" X 1'-0" (O.D.)  
 4'-7" X 6'-0" X 0'-6" (O.D.)  
 SIERRA PACIFIC TRAN PADS

Copyright © 2016 **Oldcastle** Precast, Inc.