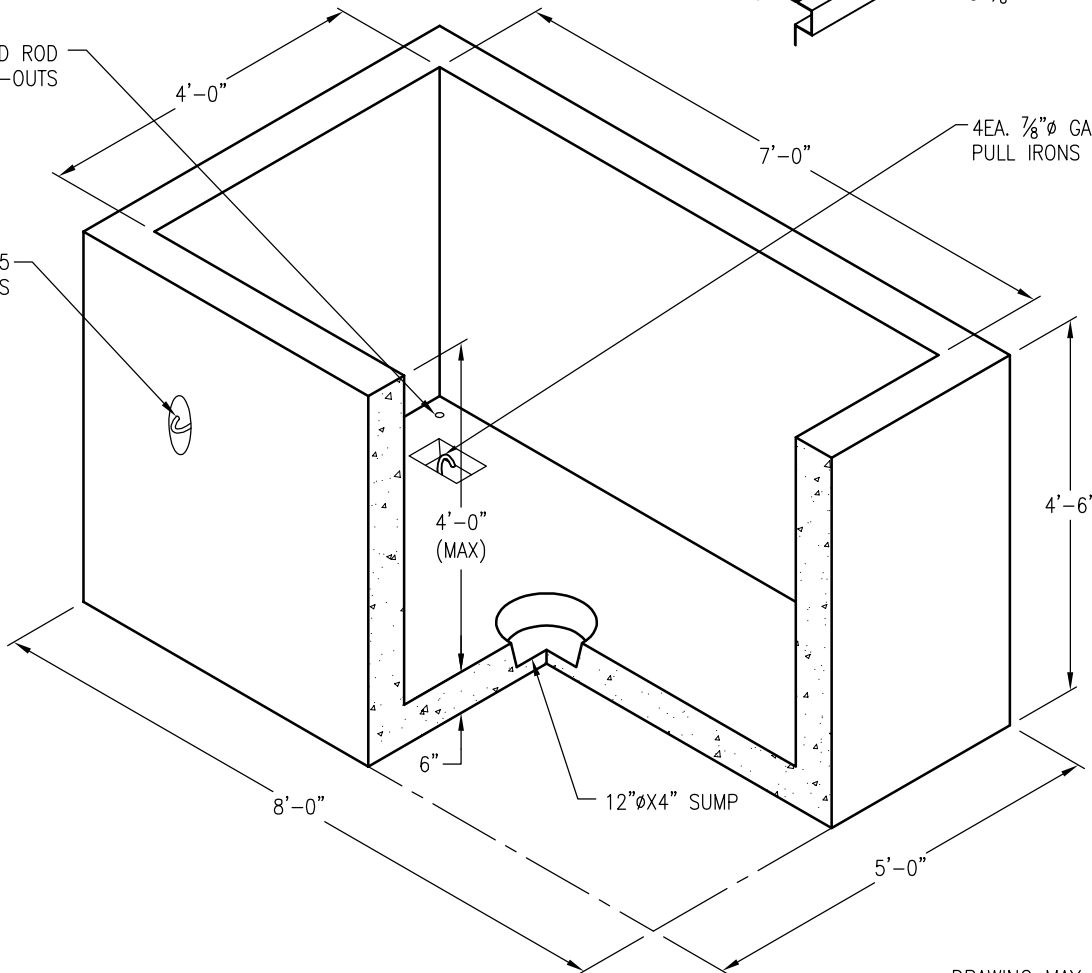


2EA. 1"Ø GROUND ROD
KNOCK-OUTS

4EA. MB79U55
HOOK LIFTS

4EA. 7/8"Ø GALVANIZED
PULL IRONS



VAULT WEIGHT: 10,400 LBS.

DRAWING MAY NOT CONFORM TO THE
MOST CURRENT SPECIFICATION

Oldcastle Precast[®]

Northern California
Madera ■ Morgan Hill ■ Pleasanton ■ Santa Rosa ■ Stockton ■ Tulare
Phone: 925-750-6650 Fax: 925-750-6660

STD-4884
FILE NAME: STD-12.DWG
REVISED: MARCH 2016
www.oldcastleprecast.com

4'-0" X 7'-0" X 4'-0" (I.D.)
UTILITY VAULT
STANDARD LAYOUT