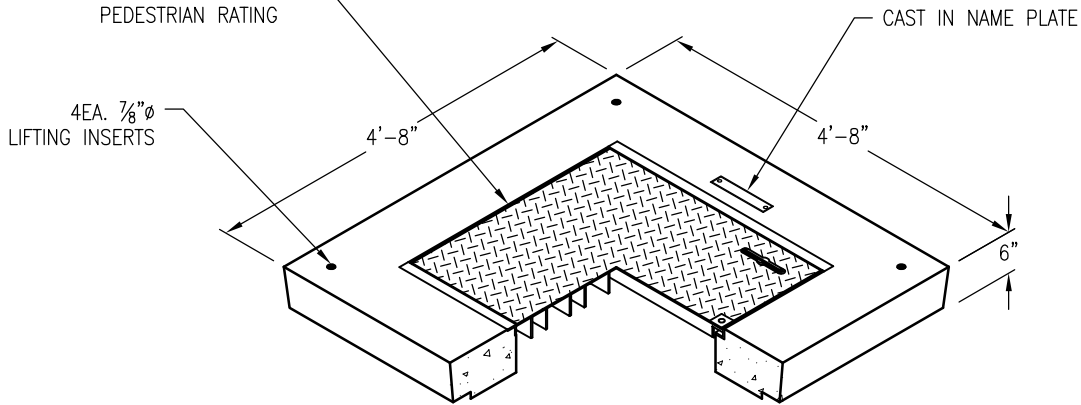


33"X33" (NOMINAL) 55-332P CAST IN, FRAME AND COVER ASSEMBLY. PEDESTRIAN RATING

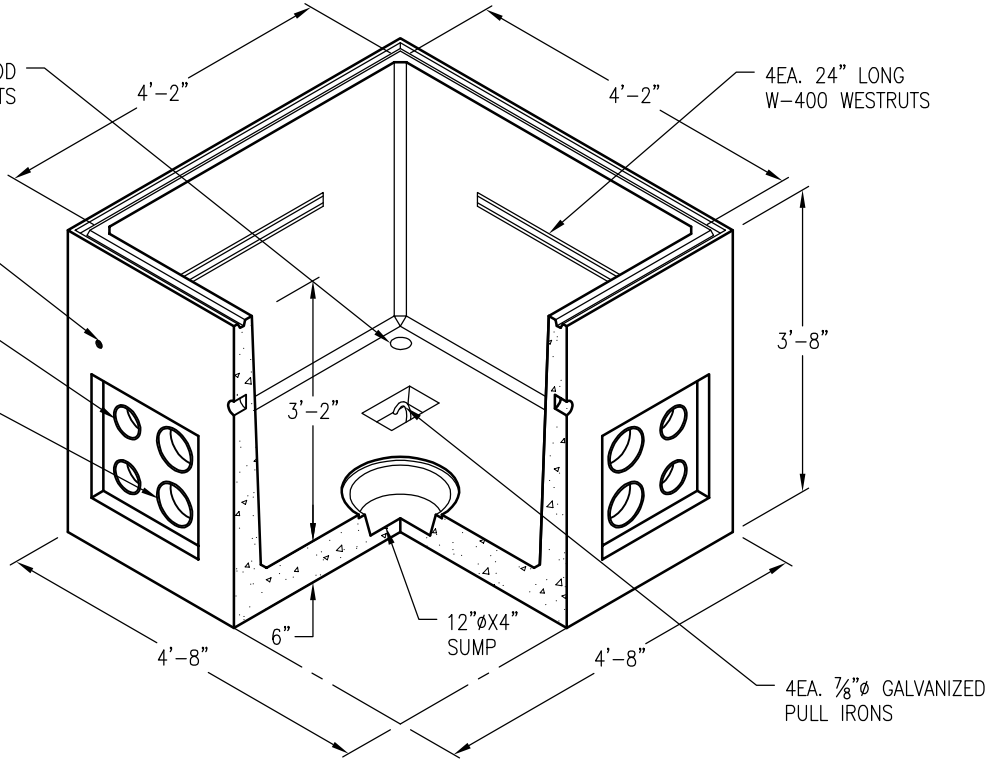


4EA. 2 1/2" Ø GROUND ROD KNOCK-OUTS

4EA. 7/8" Ø LIFTING INSERTS

16EA. 4 3/4" Ø KNOCK-OUTS

16EA. 6 1/2" Ø KNOCK-OUTS



TOP SLAB WEIGHT: 1,030 LBS.
VAULT WEIGHT: 3,850 LBS.

DRAWING MAY NOT CONFORM TO THE MOST CURRENT SPECIFICATION



Oldcastle Precast[®]
Northern California
Madera ■ Morgan Hill ■ Pleasanton ■ Santa Rosa ■ Stockton ■ Tulare
Phone: 925-750-6650 Fax: 925-750-6660

STD-504
FILE NAME: STD-13.DWG
REVISED: MARCH 2016
www.oldcastleprecast.com

**4'-2" X 4'-2" X 3'-2" (I.D.)
UTILITY VAULT
STANDARD LAYOUT**

Copyright © 2016 **Oldcastle** Precast, Inc.