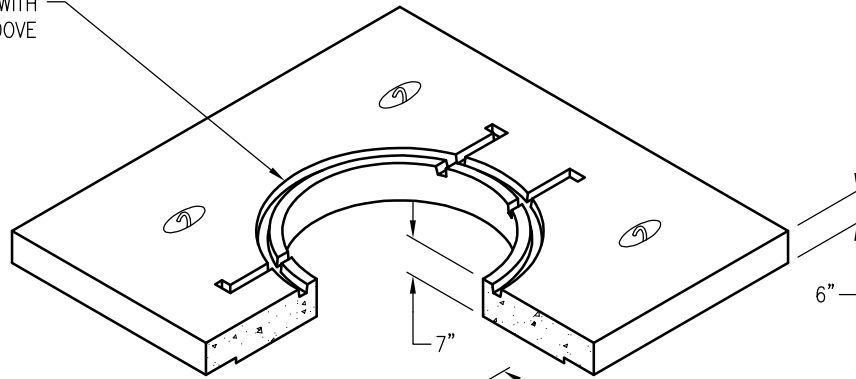


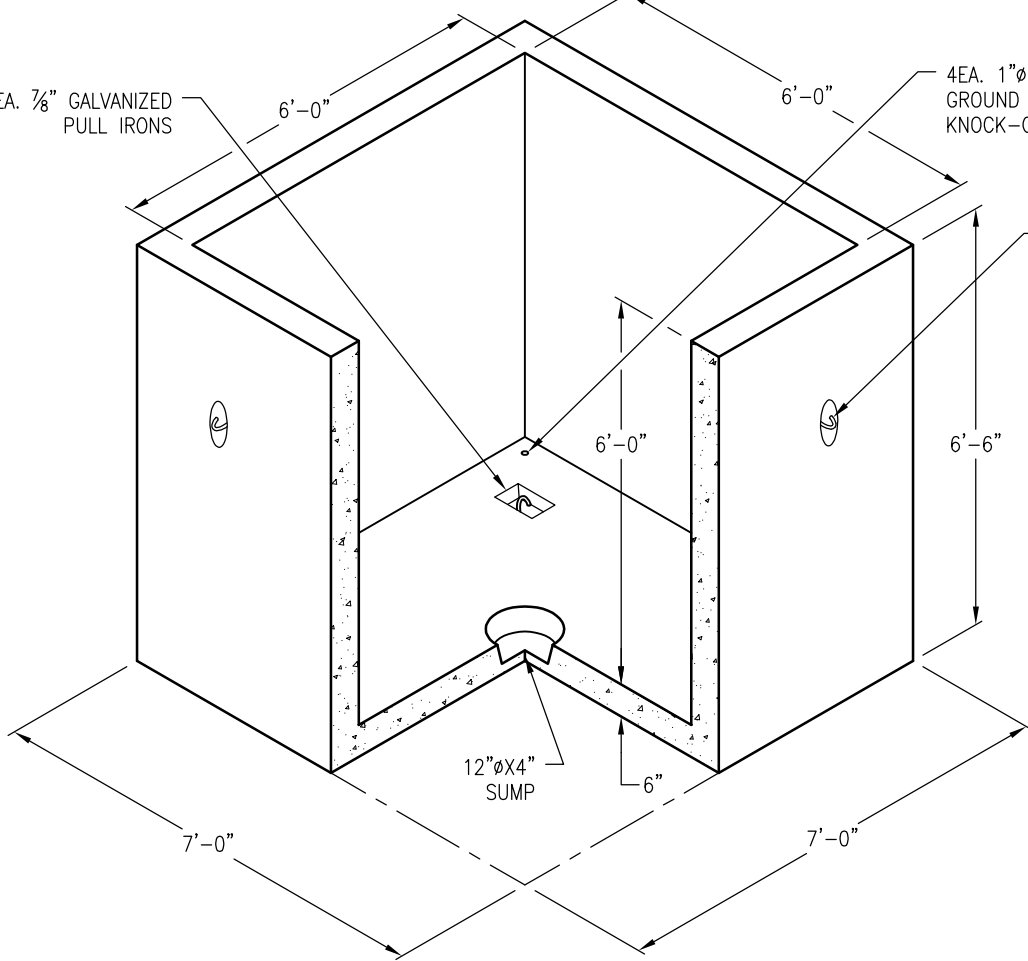
36"Ø ACCESS WITH GRADE RING GROOVE



4EA. 7/8" GALVANIZED PULL IRONS

4EA. 1"Ø GROUND ROD KNOCK-OUTS

8EA. MB79U55 HOOK LIFTS



TOP WEIGHT: 3,740 LBS.
BASE WEIGHT: 15,700 LBS.

DRAWING MAY NOT CONFORM TO THE MOST CURRENT SPECIFICATION



Oldcastle Precast®

Northern California

Madera ■ Morgan Hill ■ Pleasanton ■ Santa Rosa ■ Stockton ■ Tulare
Phone: 925-750-6650 Fax: 925-750-6660

STD-6060

FILE NAME: STD-16.DWG

REVISED: MARCH 2016

www.oldcastleprecast.com

6'-0" X 6'-0" X 6'-0" (I.D.)
UTILITY VAULT
STANDARD LAYOUT

Copyright © 2016 Oldcastle Precast, Inc.