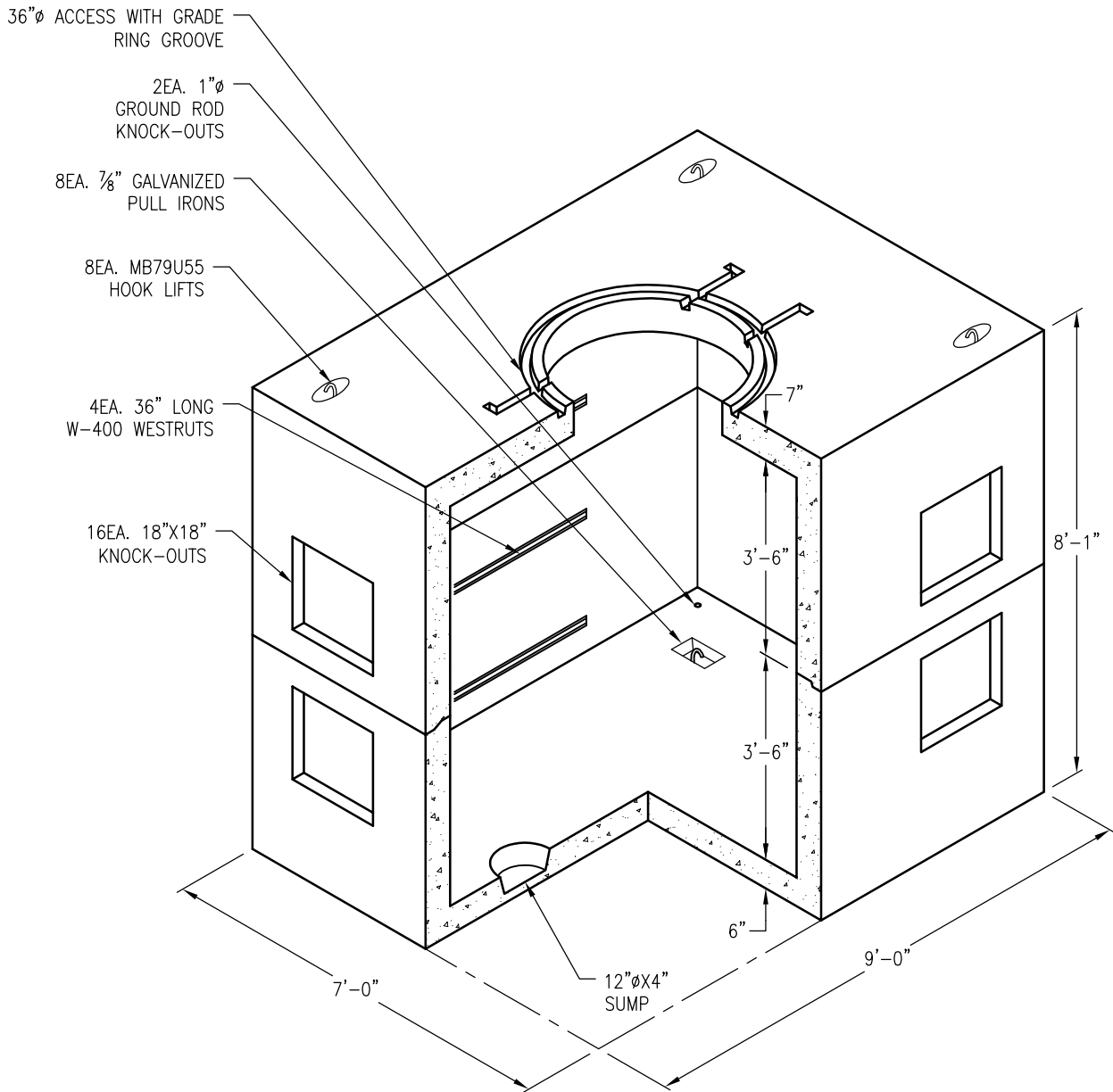


NOTE SHOWN:
8EA. 21" LONG W-400 WESTRUTS

STD-17



TOP WEIGHT: 13,028 LBS.
BASE WEIGHT: 12,850 LBS.

DRAWING MAY NOT CONFORM TO THE
MOST CURRENT SPECIFICATION



Oldcastle Precast[®]
Northern California
Madera ■ Morgan Hill ■ Pleasanton ■ Santa Rosa ■ Stockton ■ Tulare
Phone: 925-750-6650 Fax: 925-750-6660

STD-687
FILE NAME: STD-17.DWG
REVISED: MARCH 2016
www.oldcastleprecast.com

6'-0" X 8'-0" X 7'-0" (I.D.)
UTILITY VAULT
STANDARD LAYOUT

Copyright © 2016 Oldcastle Precast, Inc.