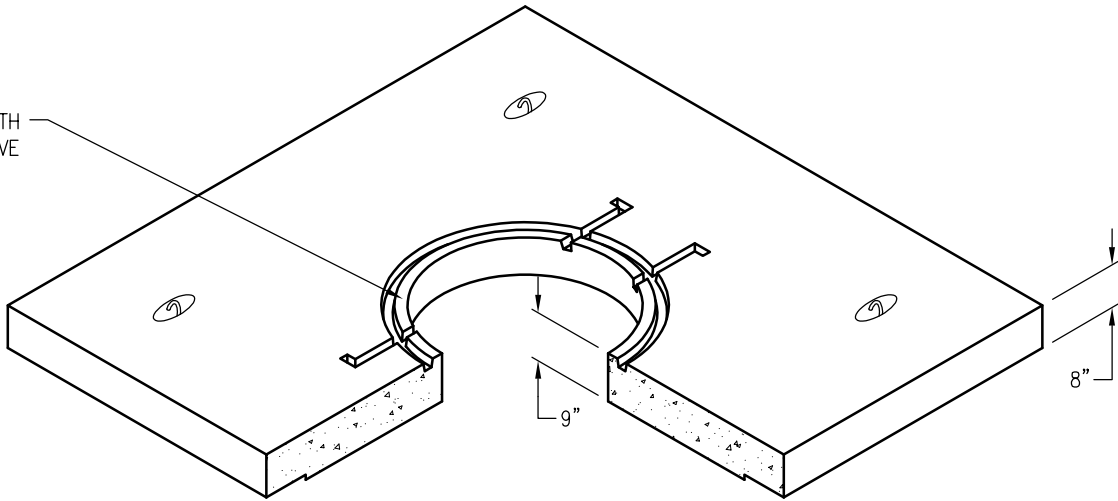


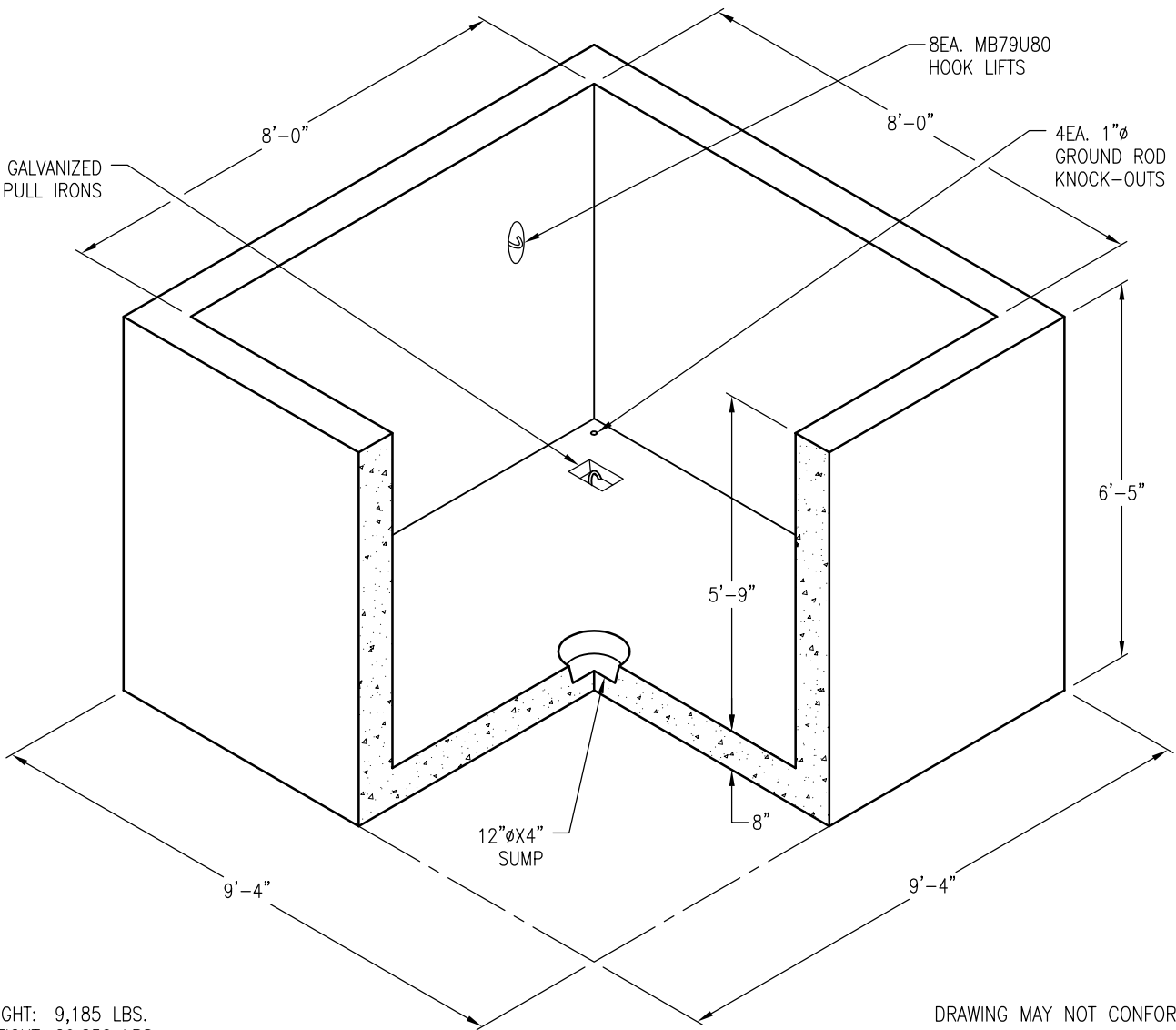
36" ϕ ACCESS WITH GRADE RING GROOVE



4EA. 7/8" GALVANIZED PULL IRONS

8EA. MB79U80 HOOK LIFTS

4EA. 1" ϕ GROUND ROD KNOCK-OUTS



12" ϕ X 4" SUMP

TOP WEIGHT: 9,185 LBS.
BASE WEIGHT: 29,250 LBS.

DRAWING MAY NOT CONFORM TO THE MOST CURRENT SPECIFICATION



Oldcastle Precast[®]

Northern California

Madera ■ Morgan Hill ■ Pleasanton ■ Santa Rosa ■ Stockton ■ Tulare
Phone: 925-750-6650 Fax: 925-750-6660

STD-8080

FILE NAME: STD-21.DWG

REVISED: MARCH 2016

www.oldcastleprecast.com

8'-0" X 8'-0" X 5'-9" (I.D.)
UTILITY VAULT
STANDARD LAYOUT

Copyright © 2016 Oldcastle[®] Precast, Inc.