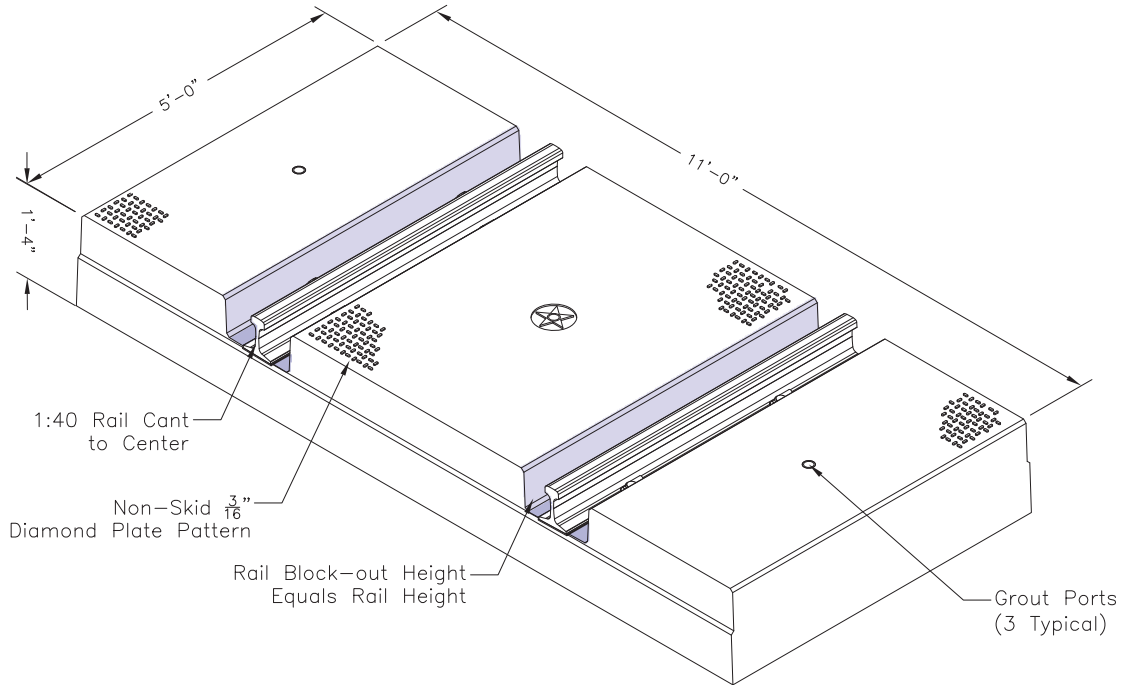


# STAR TRACK®

## MODEL: 511 HD

5'-0" X 11'-0"  
10,400 LBS.



### MATERIALS:

**CONCRETE:** The Minimum 28 Day Strength shall be 6000 PSI  
*Optional: Special design mix utilizing Micro-Silica.*  
*Optional: Corrosion inhibitor additive in lieu of epoxy reinforcing.*

**REBAR:** ASTM A615, Grade 60  
*Optional: Epoxy-coated*

**SHOULDERS:** "Pandrol" #6575 Cast  
SHOULDER DUCTILE - Iron Grade #65-45-12

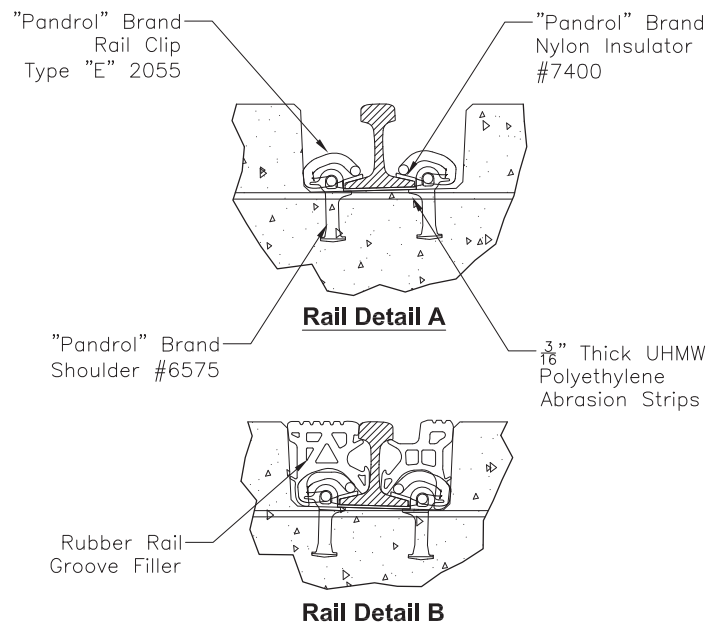
**ABRASION STRIPS:**  $\frac{3}{16}$ " Thick UHMW Polyethylene

**CLIPS:** Pandrol" #E2055 Clips-Spring Steel, Galvanized

**INSULATORS:** "Pandrol" #7400  
Thermoplastic/Nylon

**EXPOSED SURFACE:** Form Cast Concrete,  $\frac{3}{16}$ " Diamond Plate Pattern, *Optional: Hydrozo "Enviroseal" Surface Treatment*

**DESIGN LOADING:**  
Cooper E-80 with 60% Impact, HS-25



# STARTRACK®

## MODEL: 511 HD

5'-0" X 11'-0"  
10,400 LBS.

TRANSPORTATION

