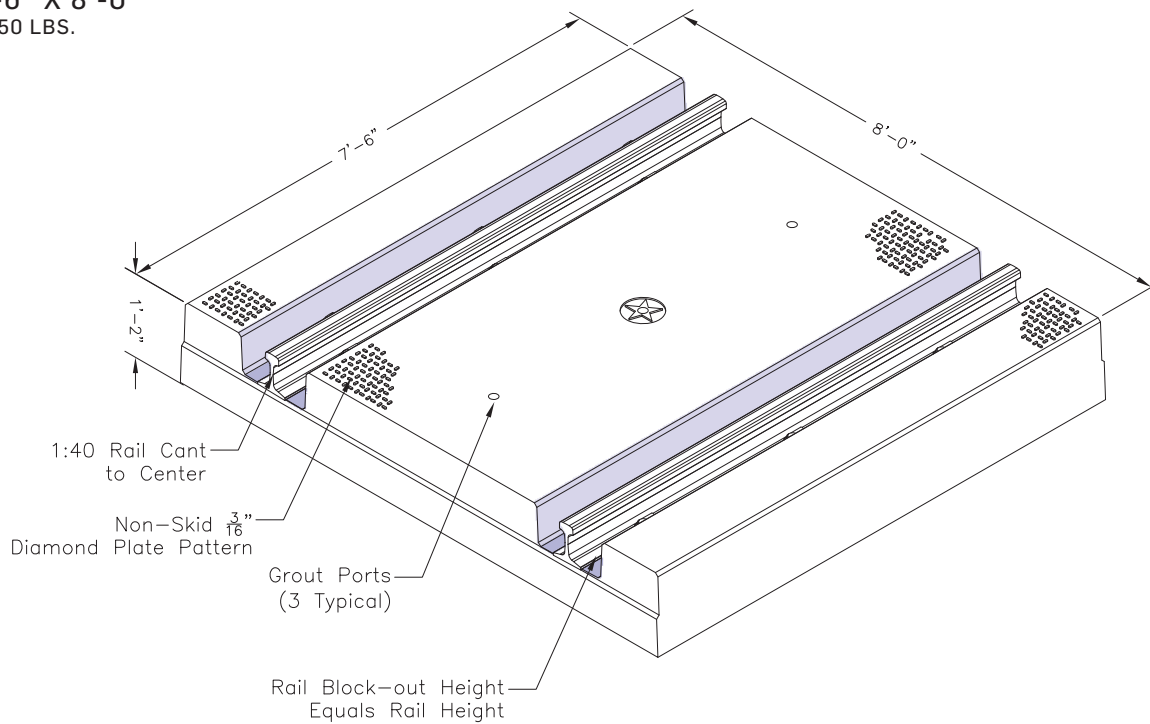


STAR TRACK®

MODEL: 768 STANDARD

7'-6" X 8'-0"
9,550 LBS.



MATERIALS:

CONCRETE: The Minimum 28 Day Strength shall be 6000 PSI
Optional: Special design mix utilizing Micro-Silica.
Optional: Corrosion inhibitor additive in lieu of epoxy reinforcing.

REBAR: ASTM A615, Grade 60
Optional: Epoxy-coated

SHOULDERS: "Pandrol" #6575 Cast
SHOULDER DUCTILE - Iron Grade #65-45-12

ABRASION STRIPS: $\frac{3}{16}$ " Thick UHMW Polyethylene

CLIPS: "Pandrol" #E2055 Clips-Spring Steel, Galvanized

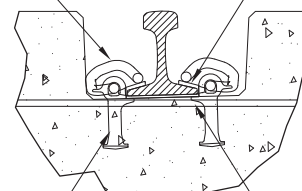
INSULATORS: "Pandrol" #7400
Thermoplastic/Nylon

EXPOSED SURFACE: Form Cast Concrete, $\frac{3}{16}$ " Diamond Plate Pattern, *Optional: Hydrozo "Enviroseal" Surface Treatment*

DESIGN LOADING:
Cooper E-80 with 60% Impact, HS-25

"Pandrol" Brand
Rail Clip
Type "E" 2055

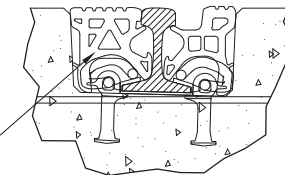
"Pandrol" Brand
Nylon Insulator
#7400



Rail Detail A

"Pandrol" Brand
Shoulder #6575

$\frac{3}{16}$ " Thick UHMW
Polyethylene
Abrasion Strips



Rubber Rail
Groove Filler

Rail Detail B



STAR TRACK®

MODEL: 768 STANDARD

7'-6" X 8'-0"
9,550 LBS.

TRANSPORTATION

