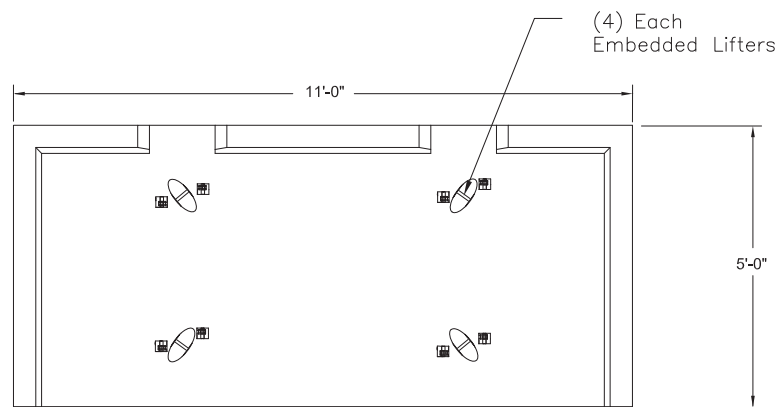
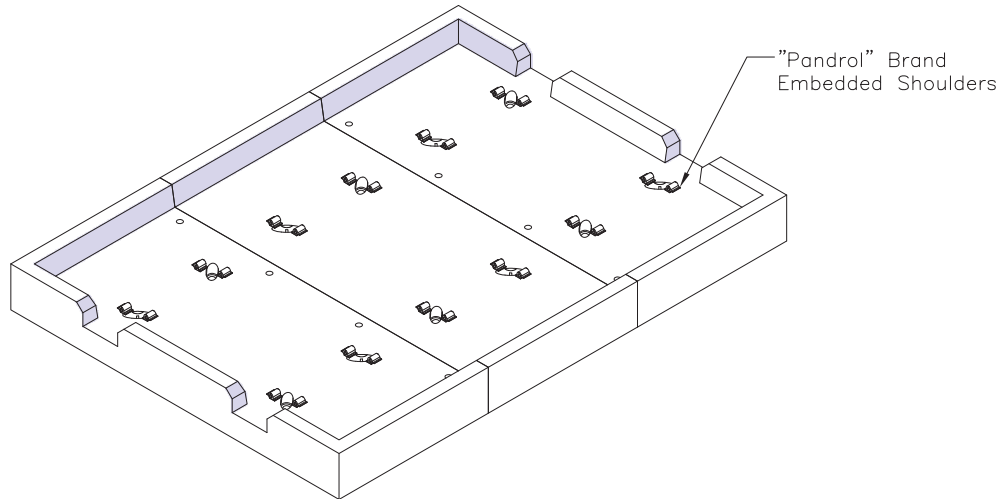
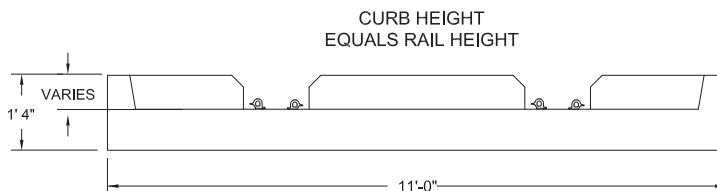


SPILL/DRIP TRACK

MODEL: 511 SDT
5'0" X 11'-0"



PLAN VIEW



SIDE VIEW

