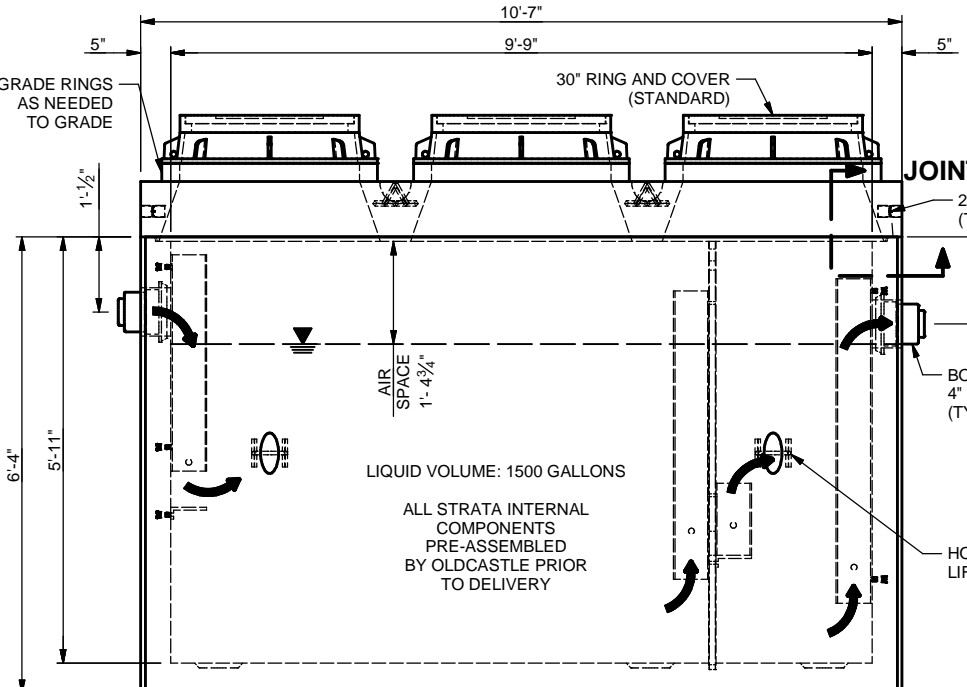


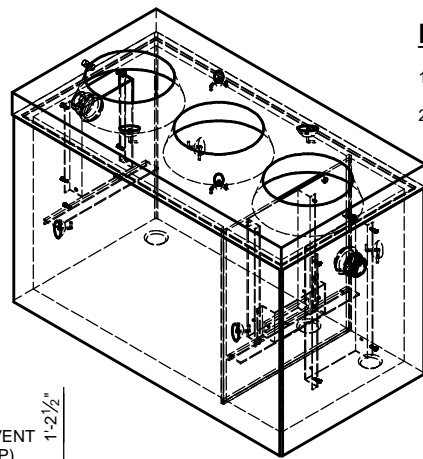
PLAN VIEW

(NOTE: RING & COVERS HIDDEN FOR CLARITY)
SCALE 3/8"=1'-0"



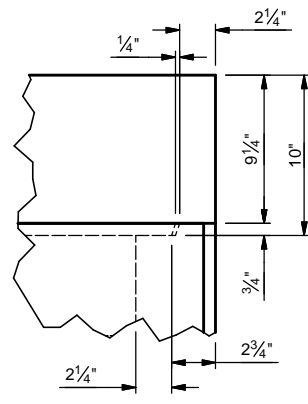
VIEW A-A

SCALE 3/8"=1'-0"



ISOMETRIC VIEW

SCALE 3/16"=1'-0"



DETAIL JOINT

SCALE 1"=1'-0"

WEIGHTS

WEIGHT (LBS)	DESCRIPTION
15035	BASE SECTION
5139	LID SECTION
141	BAFFLE WALL

STRUCTURAL NOTES:

- LOADS:
 - HS-20 TRUCK WHEEL LOAD W/ IMPACT
 - 40 PCF LATERAL SOIL PRESSURE (DRY)
 - 0'-5" SOIL COVER
 - SOIL DENSITY = 120 PCF
 - LLS = 80 PSF
 - ASSUMED WATER TABLE 2' BELOW GRADE
- DESIGN:
 - ACI-318 BUILDING CODE
 - ASTM C-890
 - BOOT SEAL: ASTM C-923
 - NO LATERAL SURCHARGE FROM ADJACENT STRUCTURES OR FOUNDATIONS
- CONCRETE: 28 DAY COMPRESSIVE STRENGTH $f_c = 6,000$ PSI
- REBAR: ASTM A-615 OR A-706, GRADE 60

NOTES TO CONTRATOR:

- ENSURE ADEQUATE BEARING SURFACE IS PROVIDED (I.E. LEVEL AND COMPACTED)
- ALL HORIZONTAL JOINTS TO HAVE BUTYL SEALANT BETWEEN PRECAST PIECES

****THIS MUST BE FILLED OUT BEFORE MANUFACTURING BEGINS****

APPROVED W/ NO EXCEPTIONS TAKEN:
 APPROVED AS NOTED:
 REVISED AND RESUBMIT:

SIGNATURE: _____ DATE: _____



THIS DOCUMENT IS THE PROPERTY OF OLDCASTLE PRECAST, INC. IT IS CONFIDENTIAL, SUBMITTED FOR REFERENCE PURPOSES ONLY, AND SHALL NOT BE USED IN ANY WAY INJURIOUS TO THE INTERESTS OF, OR WITHOUT THE WRITTEN PERMISSION OF OLDCASTLE PRECAST, INC. COPYRIGHT ©2016 OLDCASTLE PRECAST, INC. ALL RIGHTS RESERVED

STRATA GREASE INTERCEPTOR (TM)

1500 GALLON CAPACITY
SUBMITTAL DRAWING

CUSTOMER

DATE	SALES	DRAWN	ENGINEER	CHECKED	SALES ORDER
9/16/2016		JRS	BL		
DRAWING NUMBER Strata - 1500 Grease Interceptor - Submittal.dwg					REVISION 1 DATE 2/27/2017
					SHEET 1 OF 1