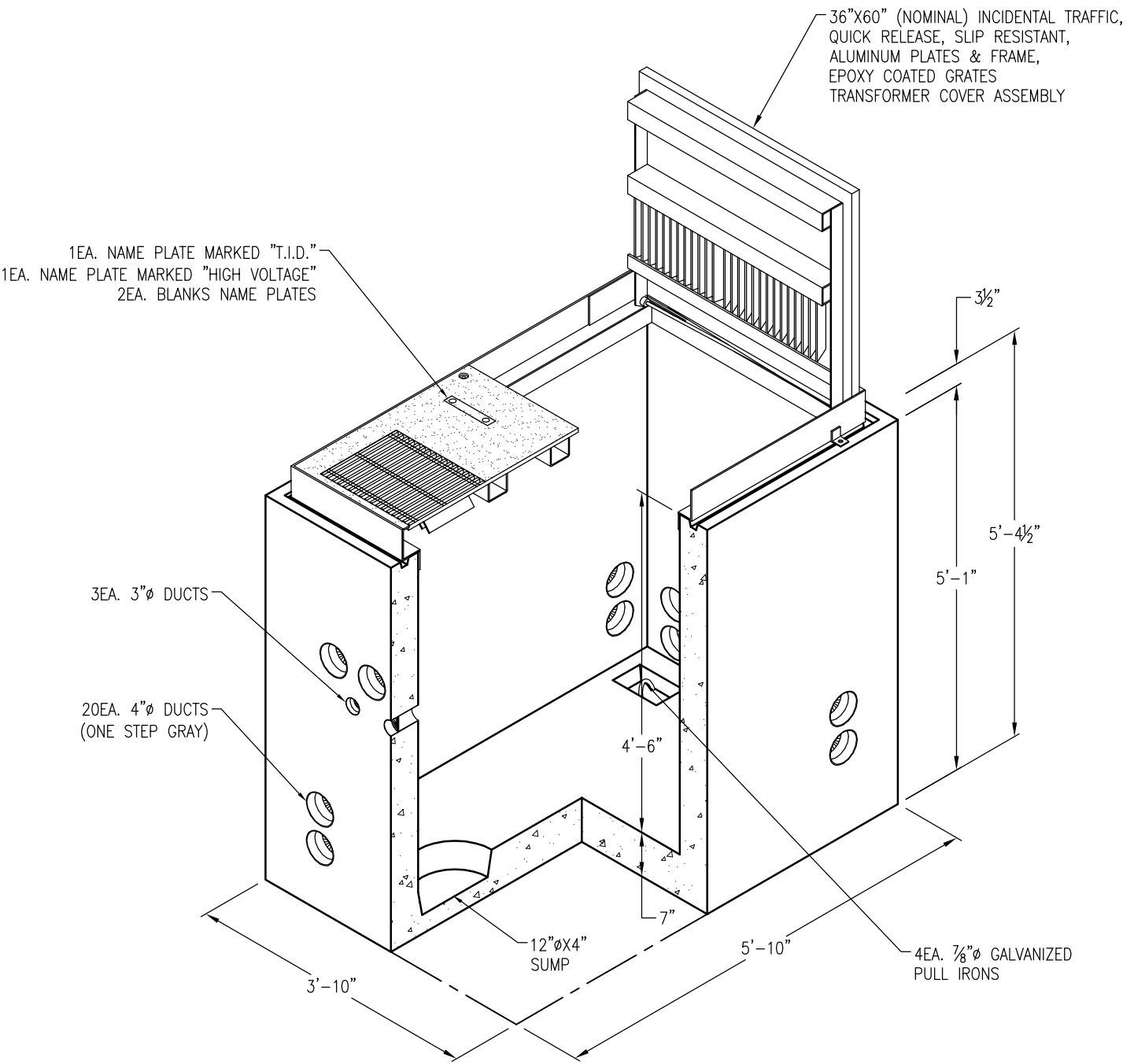


NOT SHOWN:

2EA. 1"Ø GROUND ROD KNOCK-OUTS
(LOCATED DIAGONALLY OPPOSING CORNERS)



3'-0" X 5'-0" X 4'-6"
INCIDENTAL H-10 TRANSFORMER ENCLOSURE
APPROXIMATE WEIGHTS:
WITHOUT COVER 7,085 LBS

DRAWING MAY NOT CONFORM TO THE MOST CURRENT SPECIFICATION

Oldcastle Precast[®]

Northern California
Madera ■ Morgan Hill ■ Pleasanton ■ Santa Rosa ■ Stockton ■ Tulare
Phone: 925-750-6650 Fax: 925-750-6660

TID-3546
FILE NAME: TID-1.DWG
REVISED: MARCH 2016
www.oldcastleprecast.com

3'-0" X 5'-0" X 4'-6" (I.D.)
TRANSFORMER ENCLOSURE
T.I.D.

Copyright © 2016 **Oldcastle** Precast, Inc.