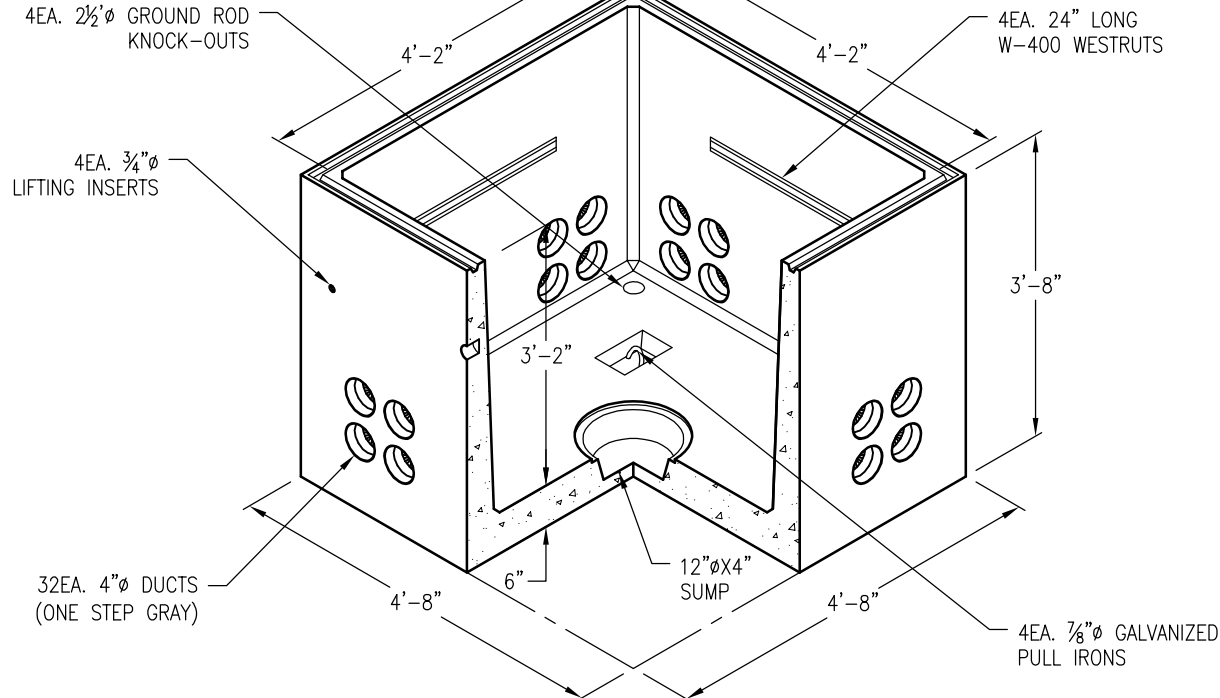
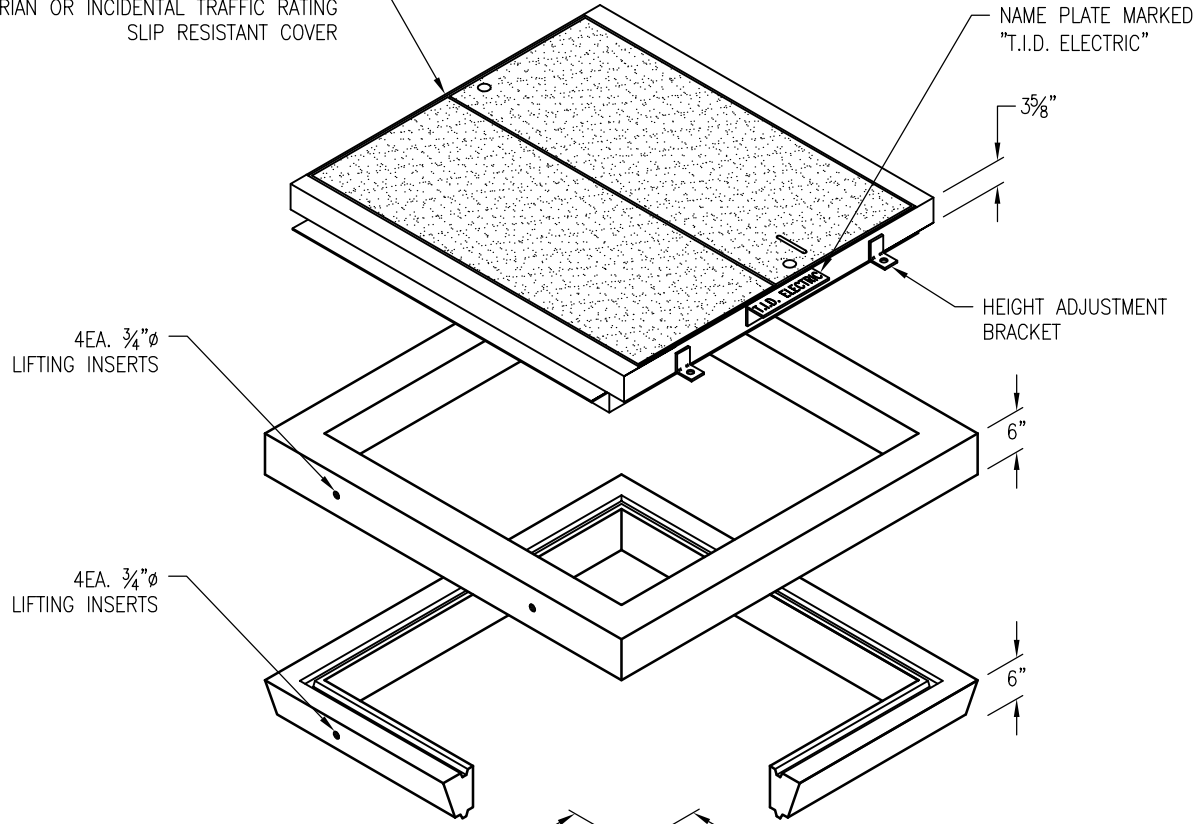


48"x48" (NOMINAL) ADJUSTABLE, FRAME AND COVER ASSEMBLY. AVAILABLE IN PEDESTRIAN OR INCIDENTAL TRAFFIC RATING SLIP RESISTANT COVER



COVER RING WEIGHT: 640 LBS.
 RISER WEIGHT: 460 LBS.
 VAULT WEIGHT: 3,850 LBS.

DRAWING MAY NOT CONFORM TO THE MOST CURRENT SPECIFICATION

Oldcastle Precast[®]
 Northern California
 Madera ■ Morgan Hill ■ Pleasanton ■ Santa Rosa ■ Stockton ■ Tulare
 Phone: 925-750-6650 Fax: 925-750-6660

TID-504
FILE NAME: TID-2.DWG
REVISED: MARCH 2016
www.oldcastleprecast.com

**4'-2" X 4'-2" X 3'-2" (I.D.)
 UTILITY VAULT
 T.I.D.**