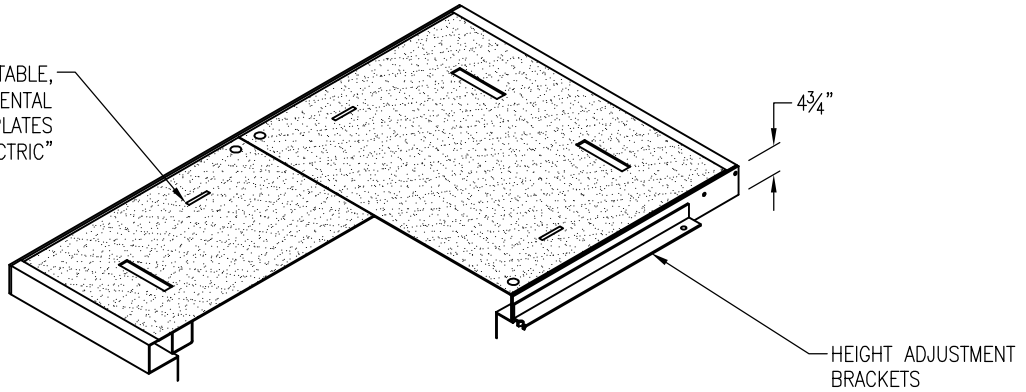


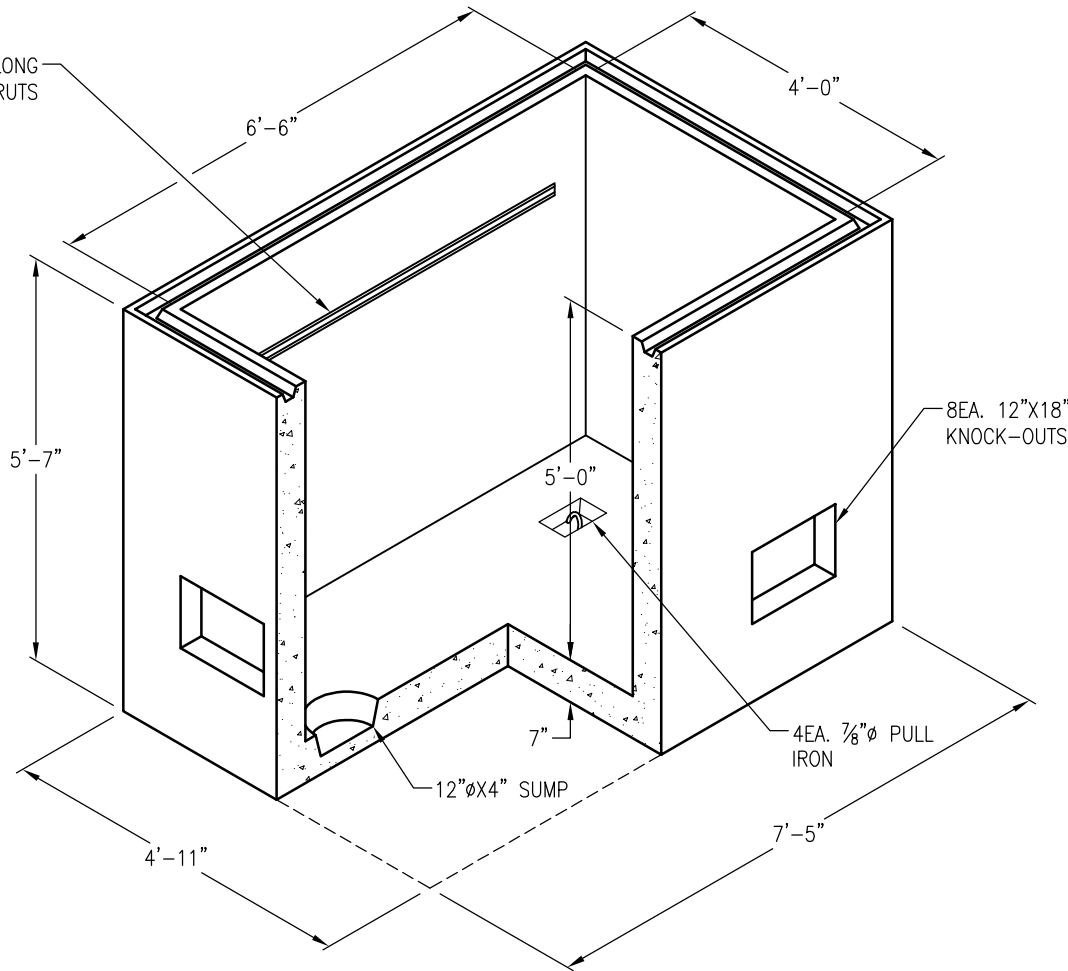
NOTES:

1. 2EA. GROUND-ROD KNOCK-OUTS NOT SHOWN, LOCATED DIAGONALLY OPPOSING CORNERS
2. LIFTING DEVICES (NOT SHOWN):
 - 4EA. 4-TON SWIFT LIFTS ON OUTSIDE FACE OF TAPERED FORM
 - 4EA. INSERTS FOR LIFTING, CAST INTO OUTSIDE FACE ON COLLAPSIBLE FORM

48"X78" (NOMINAL) ALUMINUM ADJUSTABLE, SLIP RESISTANT, TORSION ASSIST, INCIDENTAL TRAFFIC, FRAME AND COVER. NAME PLATES MARKED: "T.I.D." & "ELECTRIC"



2EA. 66" LONG W-7353 WESTRUTS



APPROXIMATE WEIGHTS:
BASE WEIGHT: 11,300 LBS

DRAWING MAY NOT CONFORM TO THE MOST CURRENT SPECIFICATION

Oldcastle Precast[®]

Northern California
Madera ■ Morgan Hill ■ Pleasanton ■ Santa Rosa ■ Stockton ■ Tulare
Phone: 925-750-6650 Fax: 925-750-6660

TID-4878
FILE NAME: TID-3.DWG
REVISED: MARCH 2016
www.oldcastleprecast.com

4'-0" X 6'-6" X 5'-0" (I.D.)
UTILITY VAULT
T.I.D.