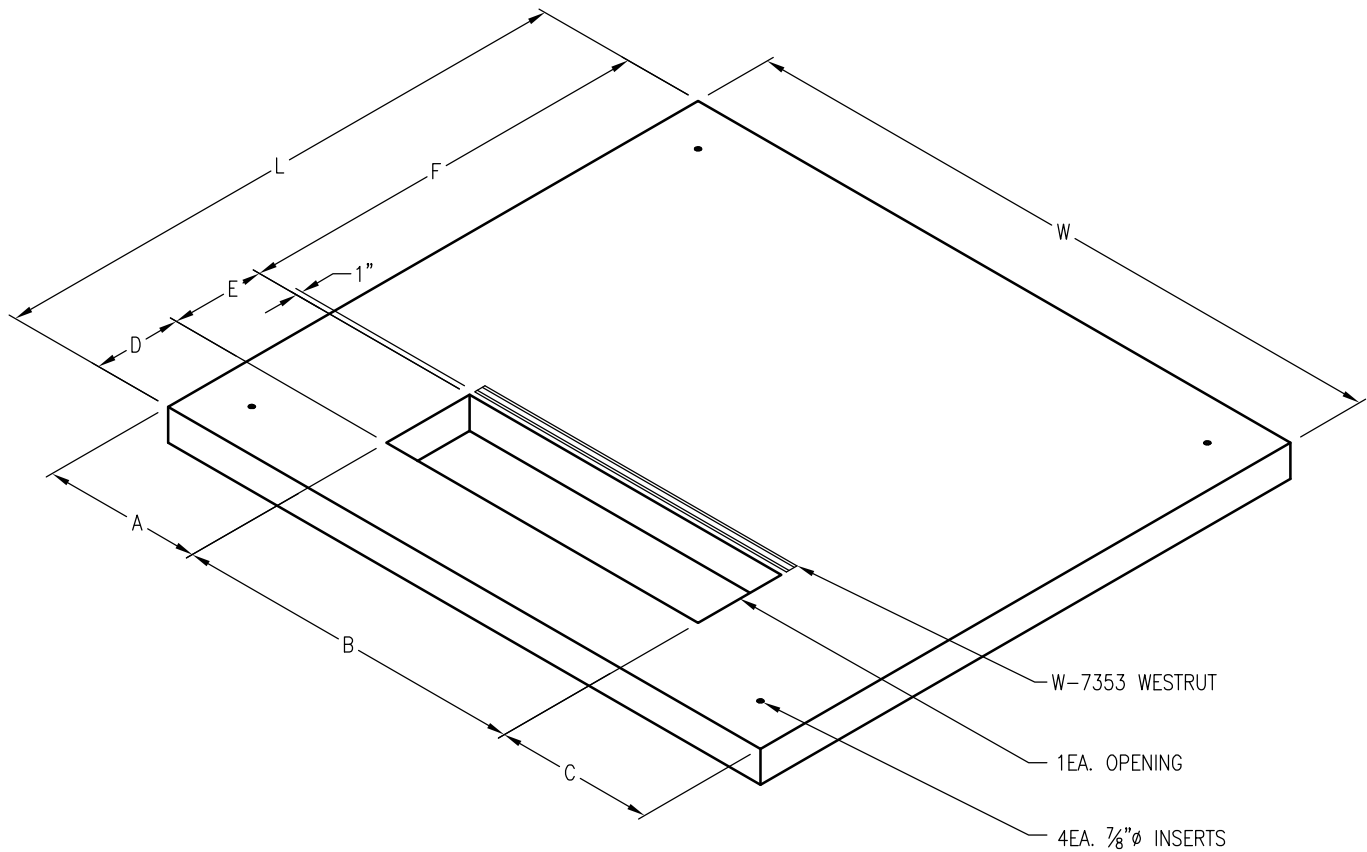


KVA SIZE	L	W	A	B	C	D	E	F	WEIGHT (LBS)
75 - 500	6'-8"	6'-3"	1'-2"	4'-2"	0'-11"	0'-10"	1'-4"	4'-6"	2,760 LBS
750 - 2500	9'-4"	8'-9"	3'-0"	4'-10"	0'-11"	0'-10"	1'-4"	7'-2"	5,755 LBS



DRAWING MAY NOT CONFORM TO THE MOST CURRENT SPECIFICATION



Oldcastle Precast®

Northern California

Madera ■ Morgan Hill ■ Pleasanton ■ Santa Rosa ■ Stockton ■ Tulare
 Phone: 925-750-6650 Fax: 925-750-6660

TID-T.PADS

FILE NAME: TID-7.DWG

REVISED: MARCH 2016

www.oldcastleprecast.com

**VARIES (O.D.)
 TRANSFORMER PADS
 T.I.D.**

Copyright © 2016 **Oldcastle** Precast, Inc.