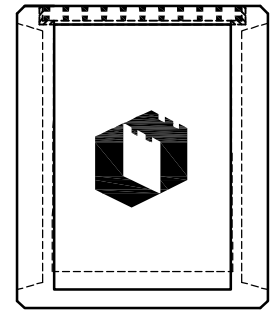
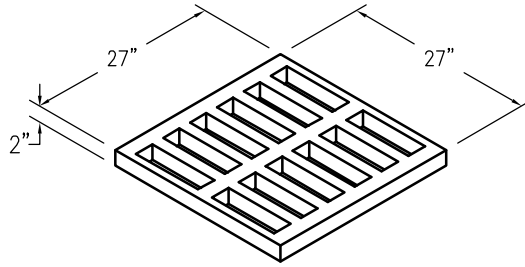
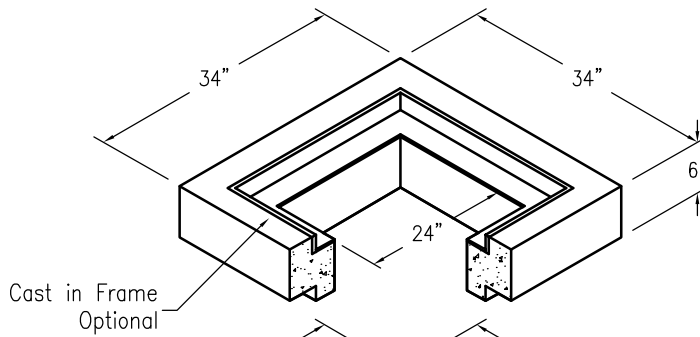


Heavy Duty Grate :
 V5115-M2 or Equal
 Weight : 170 Lbs.

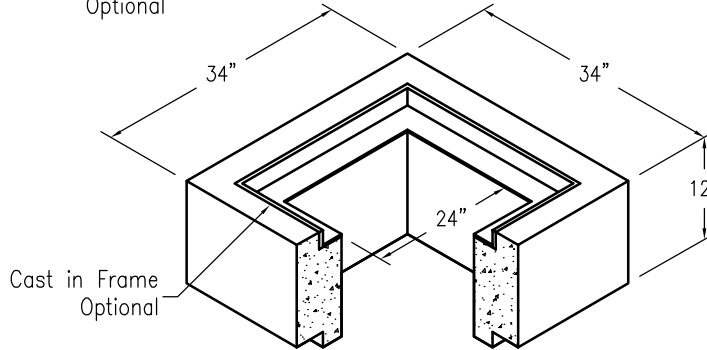


Base Elevation View

6" Riser W/ Frame
 Weight : 302 Lbs.

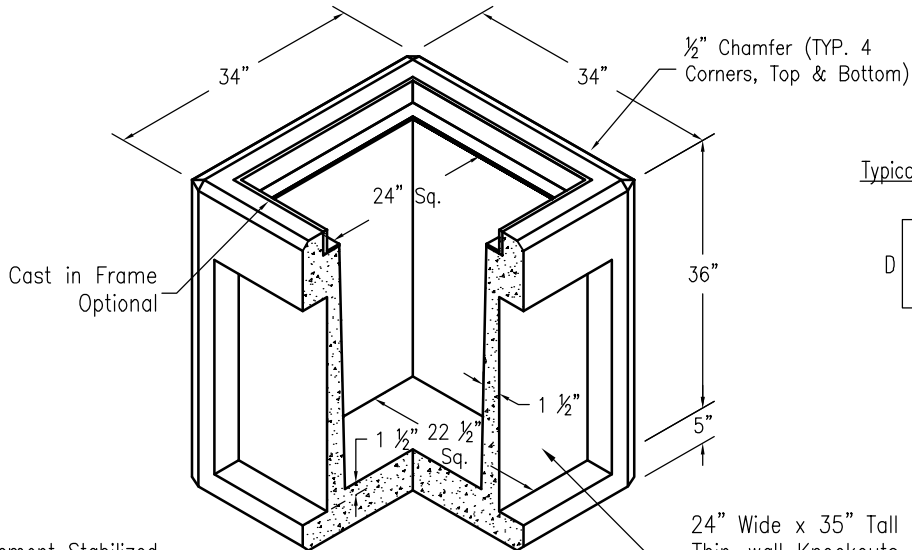


12" Riser
 Weight : 604 Lbs.

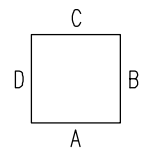


Bottom :
 Weight : See Chart

Bottom	
Wall(s)	Weight (Lbs.)
4-Way	1,294



Typical Orientation



Notes :

1. Bedding Shall be 6" Cement Stabilized Sand or Select Material.

24" Wide x 35" Tall x 3 1/2" Deep
 Thin-wall Knockouts
 Typical on all Four Walls