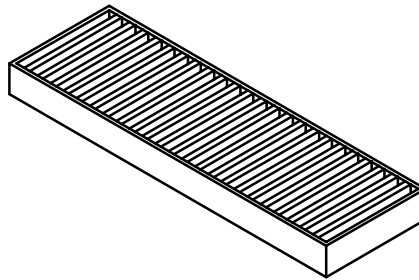
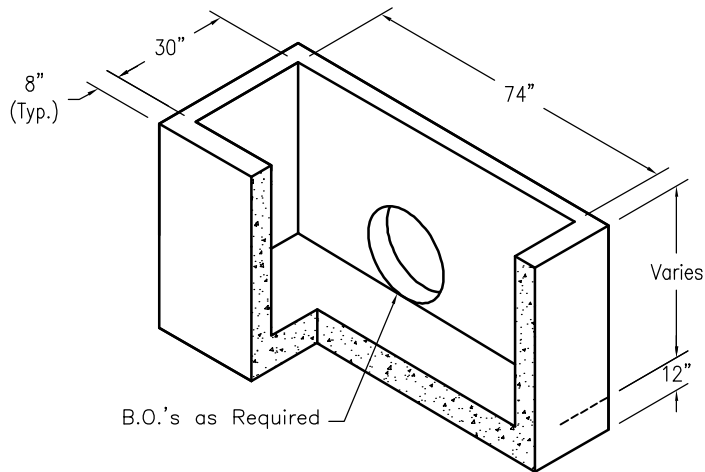


Structural Steel Frame &  
Grate

To be Cast-In Pavement



"AZ" Body



Notes:

1. Different Height Extension and Bottoms Are Available On Request.
2. Some Bottoms may Require Special Reinforcement and Thicker Walls at Extreme Depths.



2120 FM 359 S Brookshire, TX 77423  
Phone: 713-934-7900 Fax: 713-934-7901

**TYP-AZ2G-INL**

FILE NAME: 266-TYP-AZ2G-DIC

ISSUE DATE: JUNE, 2008

[www.oldcastleprecast.com](http://www.oldcastleprecast.com)

**24" x 74"**

**TYPE "AZ2G" INLET  
STANDARD DRAWING**

Copyright © 2008 Oldcastle Precast, Inc.