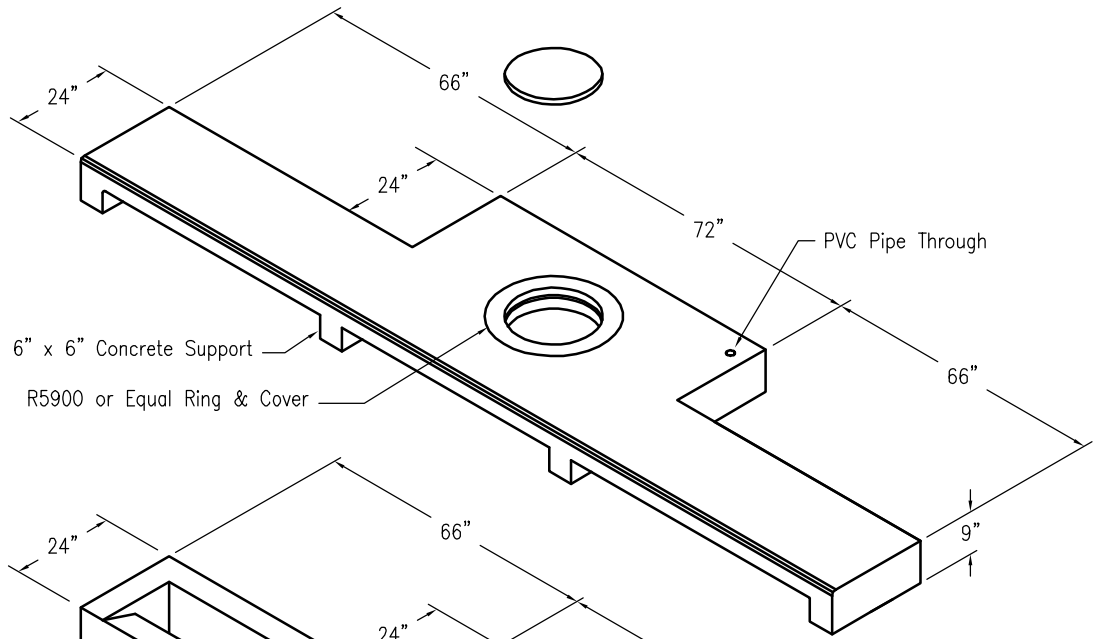


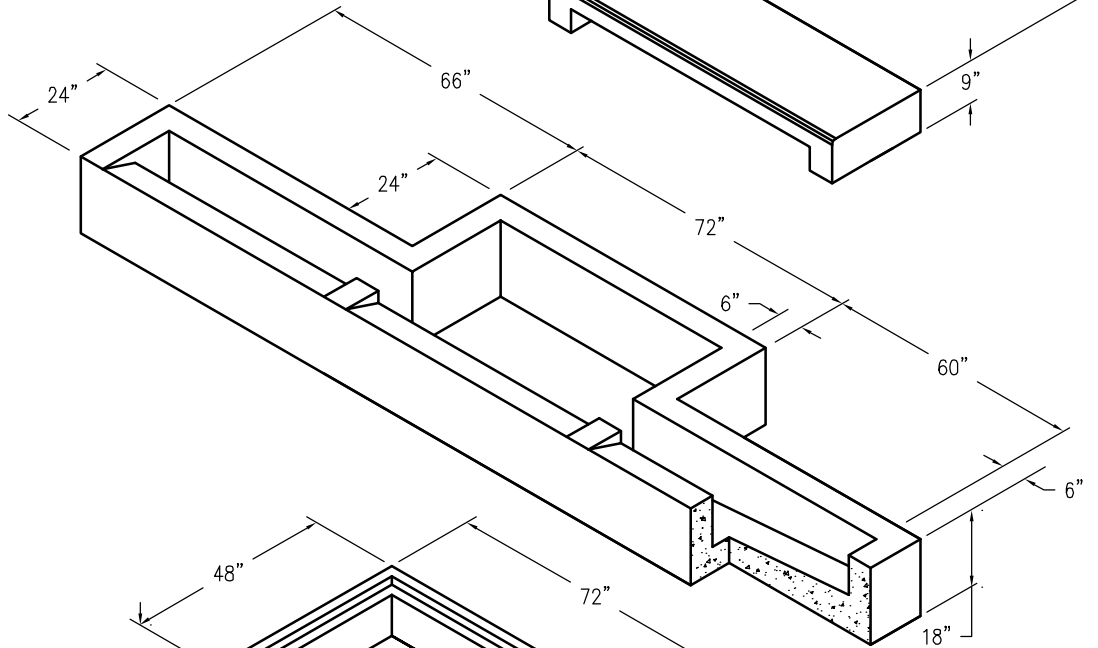
Top :

Weight : 4,740 Lbs.



18" Mid-Section

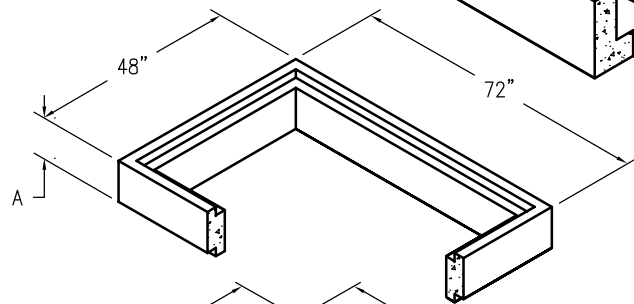
Weight : 5,477 Lbs.



Variable Riser

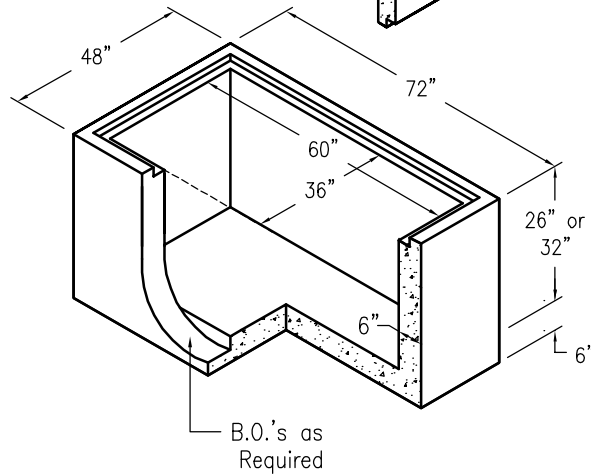
Weight : See Chart

Riser	
A	Weight (Lbs.)
12"	1,350
24"	2,700
36"	4,050
48"	5,400

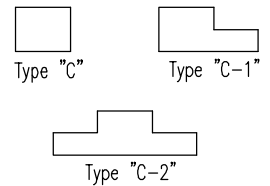


Bottom :

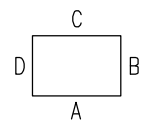
Weight : Varies



Extension Options



Typical Orientation



Notes :

1. Bedding Shall be 6" Cement Stabilized Sand or Select Material.
2. C.I. Ring & Cover Conforms to TXDOT Item #471.