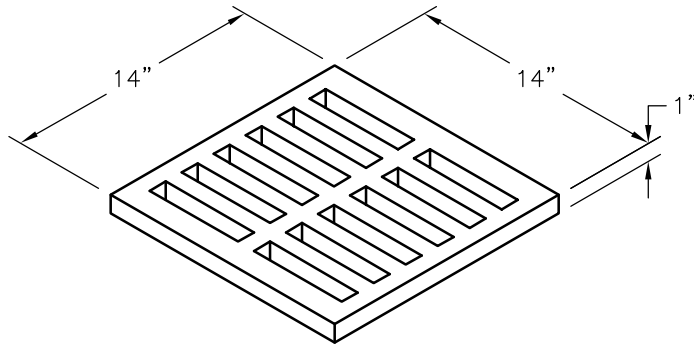


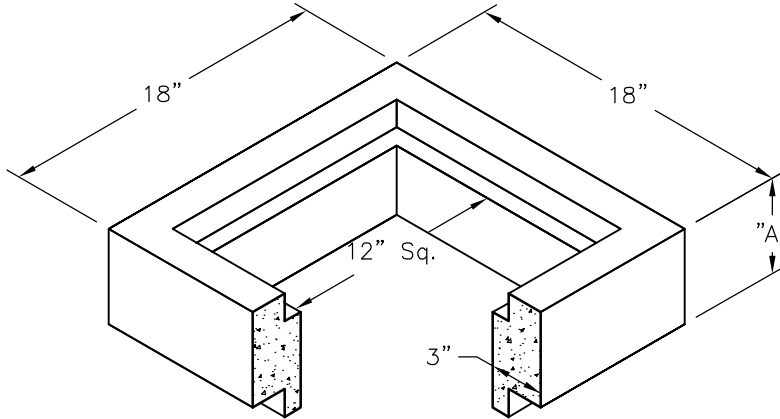
C.I. Grate

Weight - 32 Lbs.



Extension

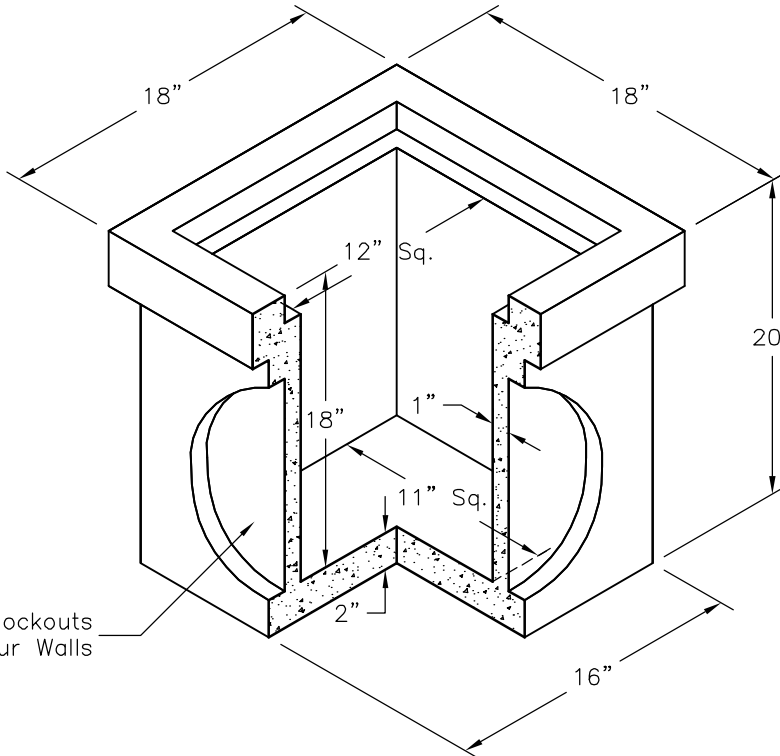
Weight - See Table



Extension	
A	Weight
6"	94 Lbs.
12"	188 Lbs.
18"	281 Lbs.

Body

Weight - 234 Lbs.



11" Dia. Thin-wall Knockouts
Typical on all Four Walls



13600 South Wayside, Houston, Texas 77048
Phone: 713-991-2400 Fax: 713-991-0815

1212-CB-DIC

FILE NAME: 264DIC1212CB.DWG

ISSUE DATE: January, 2007

www.oldcastlehouston.com

**12" x 12" I.D.
Catch Basin
Standard Layout**

Copyright © 2007 Oldcastle Precast Inc.