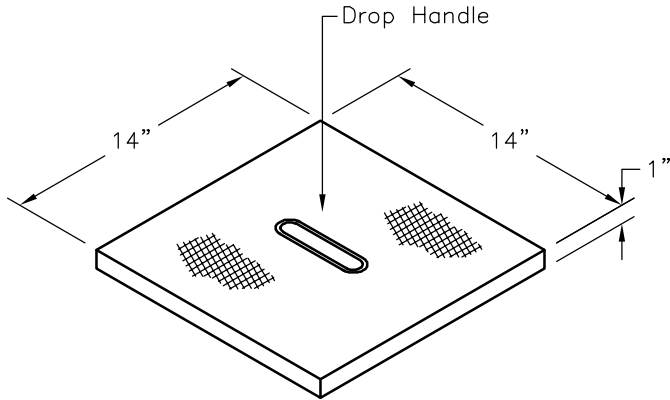
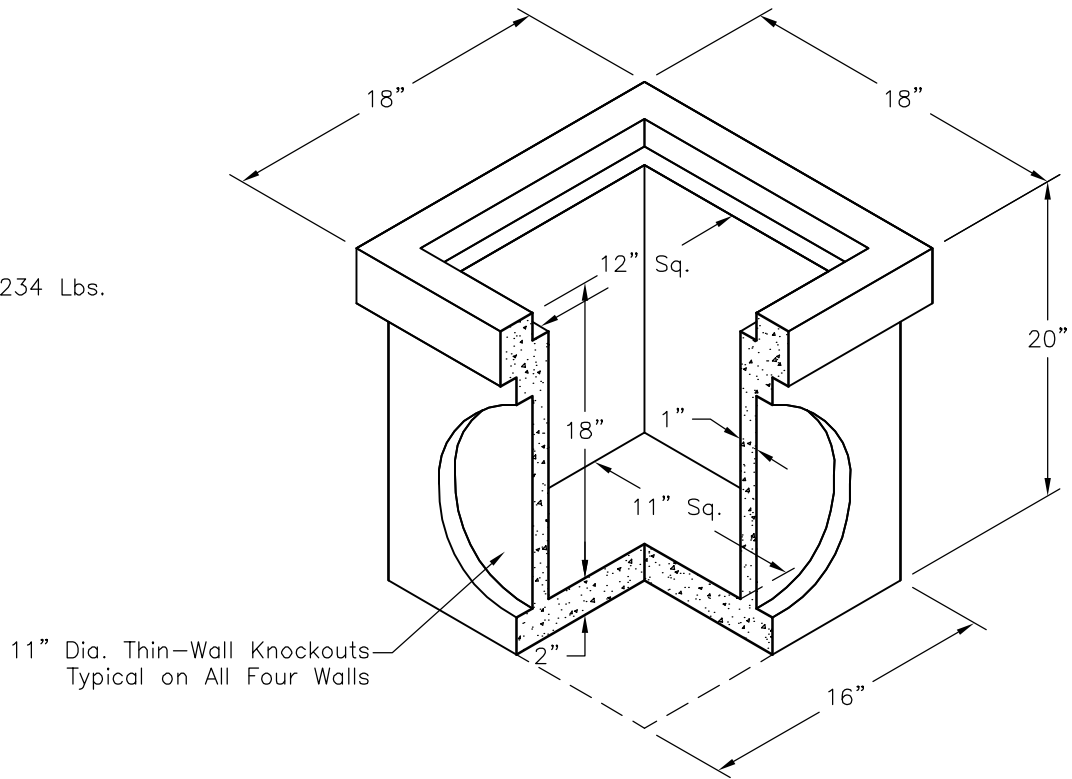


Galv. Steel Traffic Cover



Body

Weight - 234 Lbs.



13600 South Wayside, Houston, Texas 77048
Phone: 713.991.2400 Fax: 713.991.0815

1212-JB-DIJ

FILE NAME: 264DIJ1212JB.DWG

ISSUE DATE: January, 2007

www.oldcastlehouston.com

**12" x 12" I.D.
Junction Box
Standard Layout**

Copyright © 2007 Oldcastle Precast, Inc.