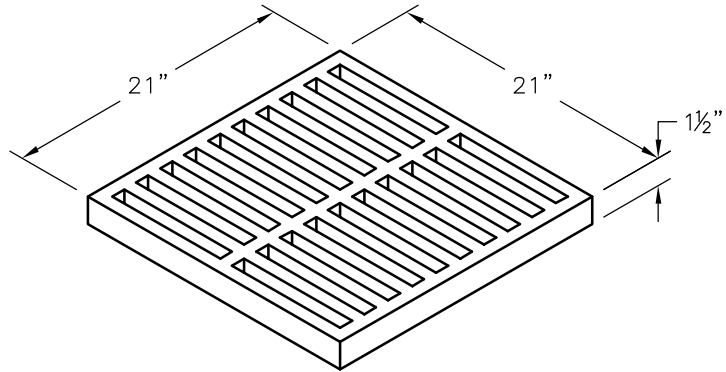


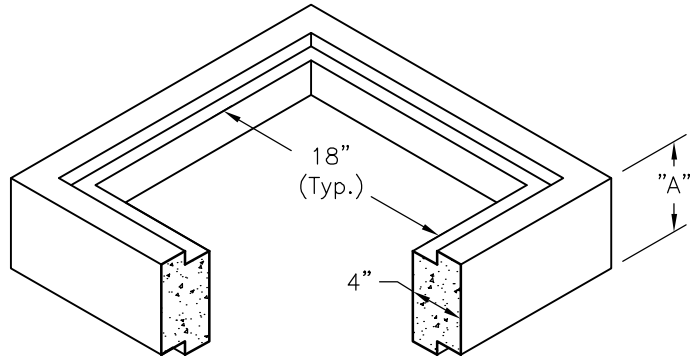
**C.I. Grate**

Weight - 76 Lbs.



**Extension**

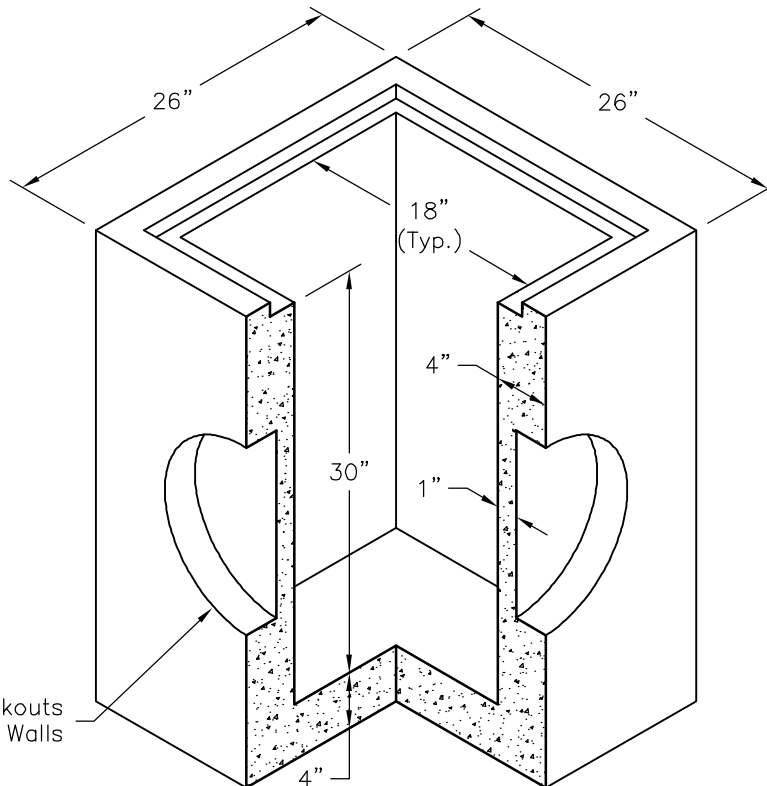
Weight - See Table



Extension	
A	Weight
12"	370 Lbs.
18"	550 Lbs.
24"	730 Lbs.

**Bottom**

Weight - 890 Lbs.



17" Dia. Thin-wall Knockouts  
Typical on all Four Walls



**1818-CB-DIC**

FILE NAME: 264DIC1818CB.DWG

ISSUE DATE: January, 2007

[www.oldcastlehouston.com](http://www.oldcastlehouston.com)

**18" x 18" I.D.  
Catch Basin  
Standard Layout**

Copyright © 2007 Oldcastle Precast, Inc.

13600 South Wayside, Houston, Texas 77048  
Phone: 713-991-2400 Fax: 713-991-0815