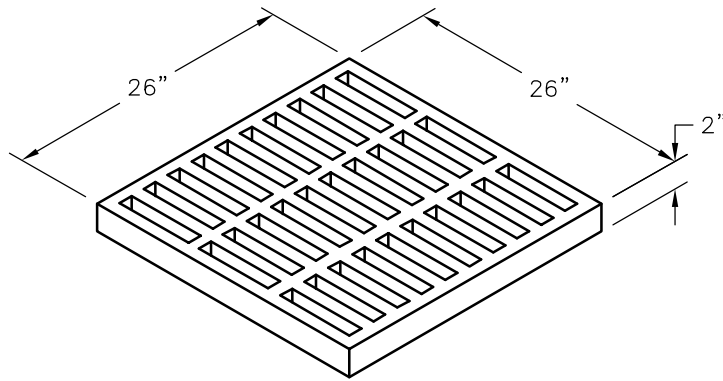
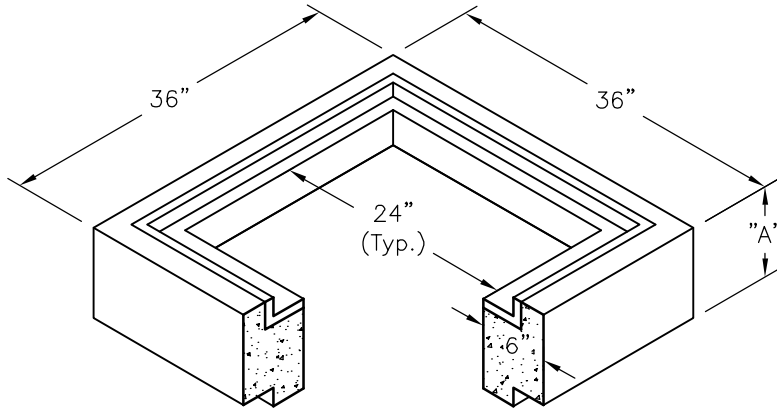


C.I. Grate



C.I. Frame

Weight - 90 Lbs.



Extension

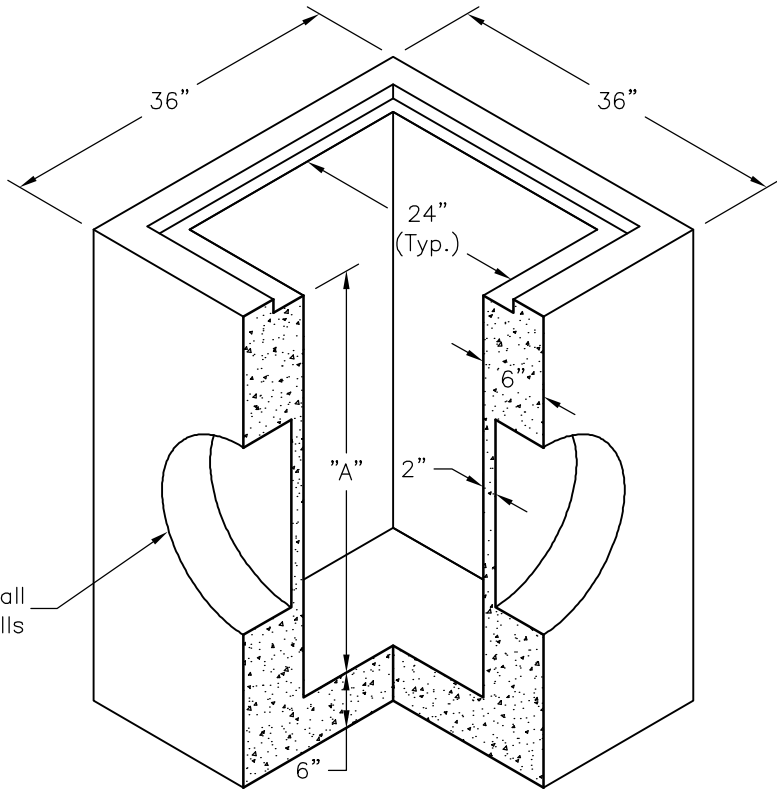
Weight - See Table

Extension	
A	Weight
6"	375 Lbs.
12"	750 Lbs.
18"	1125 Lbs.

Ext. w/ Frame	
A	Weight
6"	465 Lbs.
12"	840 Lbs.
18"	1215 Lbs.
24"	1590 Lbs.

Bottom

Weight - See Table



Bottom	
A	Weight
36"	2790 Lbs.

Btm w/ Frame	
A	Weight
36"	2880 Lbs.

25" Dia. Std. Thin Wall
K.O's on all Four Walls



13600 South Wayside, Houston, Texas 77048
Phone: 713-991-2400 Fax: 713-991-0815

2424-CB-DIC

FILE NAME: 264DIC2424CB.DWG

ISSUE DATE: January, 2007

www.oldcastlehouston.com

**24" x 24" I.D.
Catch Basin
Standard Layout**

Copyright © 2007 Oldcastle Precast, Inc.