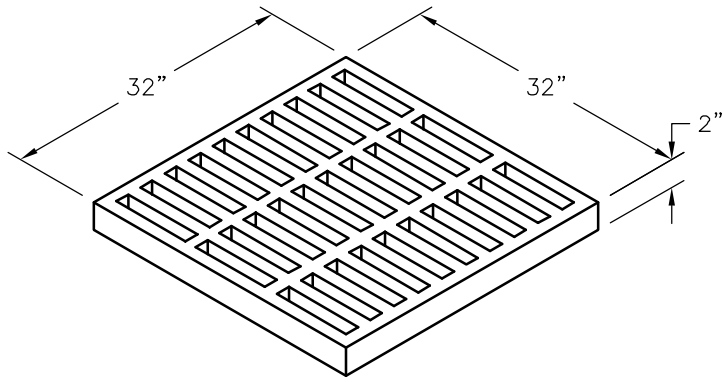


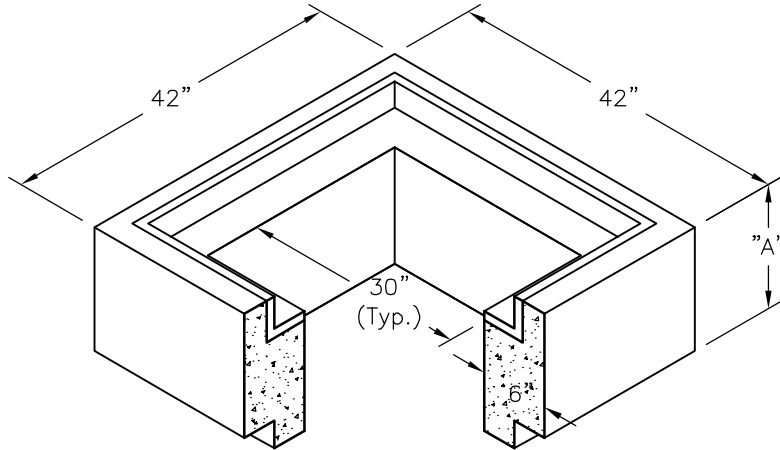
C.I. Grate

Weight - 267 Lbs.



C.I. Frame

Weight - 110 Lbs.



| Extension | |
|-----------|-----------|
| A | Weight |
| 6" | 450 Lbs. |
| 12" | 900 Lbs. |
| 24" | 1800 Lbs. |

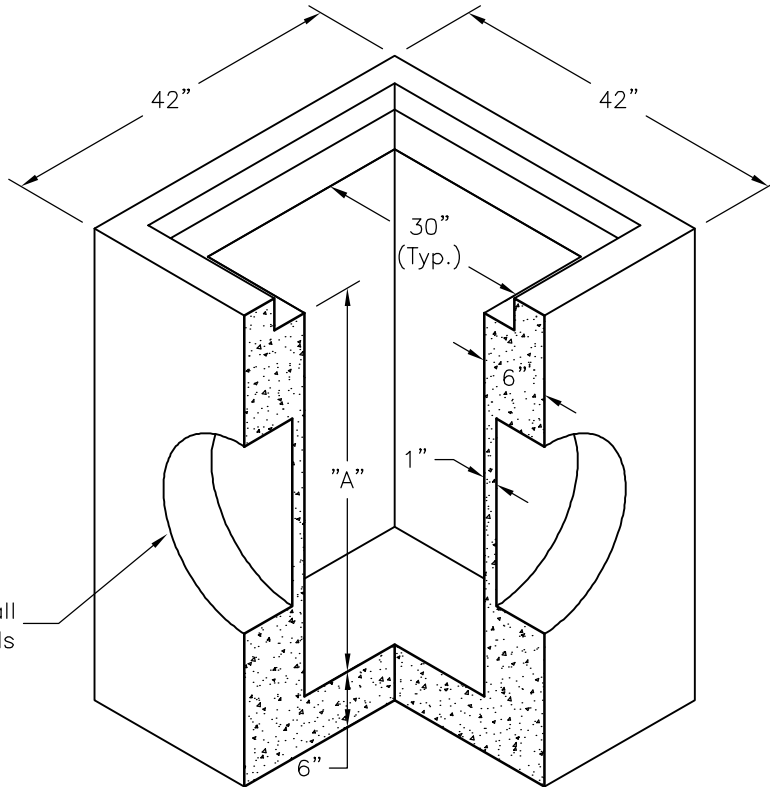
Extension

Weight - See Table

| Ext. w/ Frame | |
|---------------|-----------|
| A | Weight |
| 6" | 560 Lbs. |
| 12" | 1010 Lbs. |
| 24" | 1910 Lbs. |

Bottom

Weight - See Table



| Bottom | |
|--------|-----------|
| A | Weight |
| 36" | 3285 Lbs. |

| Btm w/ Frame | |
|--------------|-----------|
| A | Weight |
| 36" | 3395 Lbs. |

31" Dia. Std. Thin Wall K.O.'s on all Four Walls



13600 South Wayside, Houston, Texas 77048
Phone: 713-991-2400 Fax: 713-991-0815

3030-CB-DIC

FILE NAME: 264DIC3030CB.DWG

ISSUE DATE: January, 2007

www.oldcastlehouston.com

**30" x 30" I.D.
Catch Basin
Standard Layout**

Copyright © 2007 Oldcastle Precast, Inc.