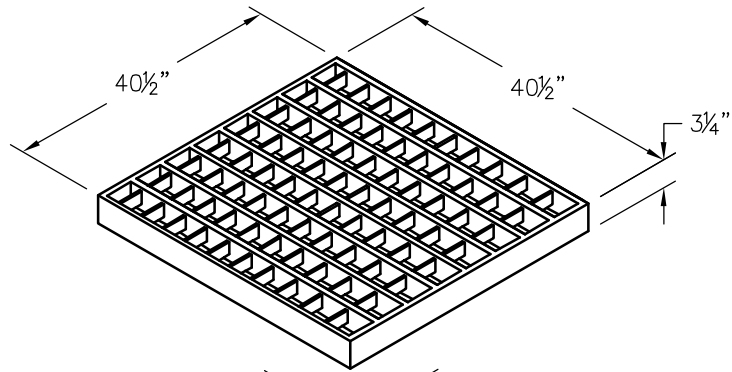
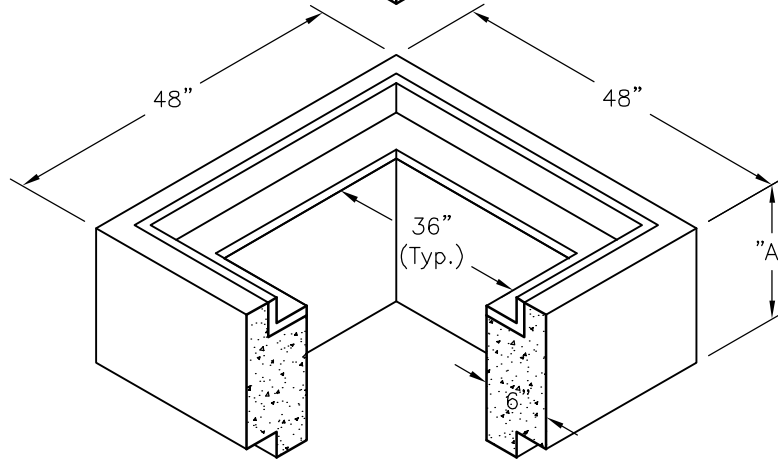


Galvanized Grate



C.I. Frame

Weight - 135 Lbs.



Extension

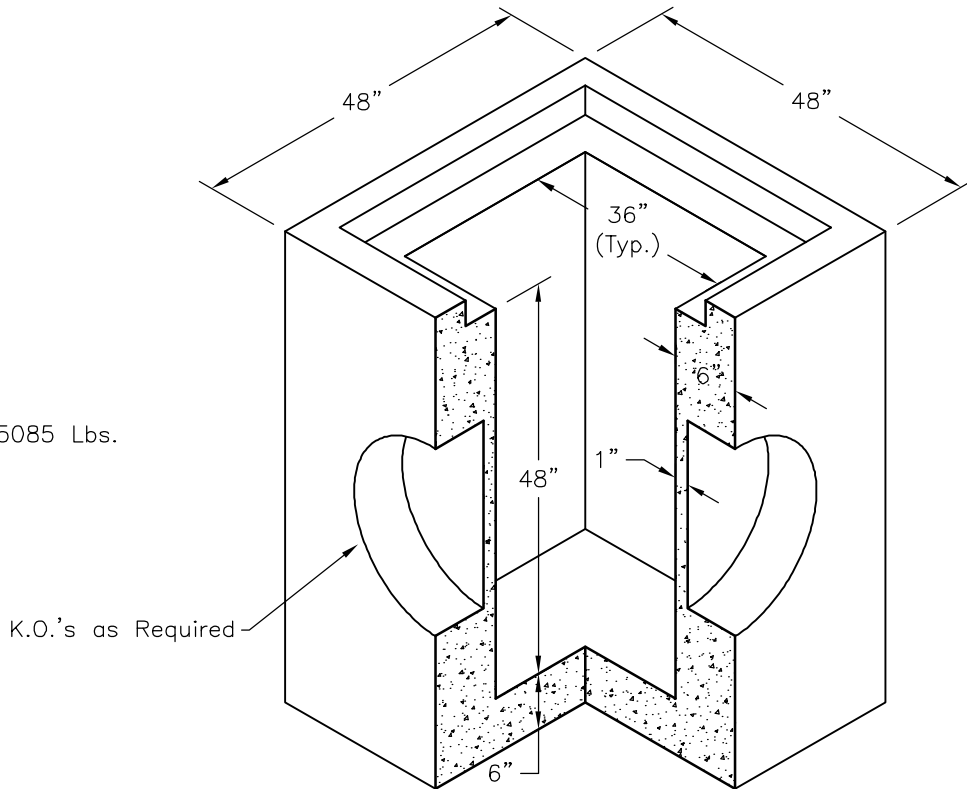
Weight - See Table

Extension	
A	Weight
12"	1015 Lbs.

Ext. w/ Frame	
A	Weight
6"	525 Lbs.
12"	1150 Lbs.
24"	2100 Lbs.

Bottom

Weight - 5085 Lbs.



3636-CB-SPC

FILE NAME: 264DIC3636CBSPC.DWG

ISSUE DATE: January, 2007

www.oldcastlehouston.com

**36" x 36" I.D. Catch Basin
(Special)
Standard Layout**

Copyright © 2007 Oldcastle Precast

13600 South Wayside, Houston, Texas 77048
Phone: 713-991-2400 Fax: 713-991-0815