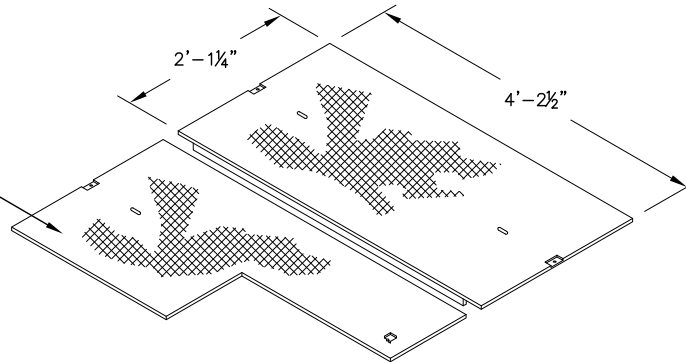
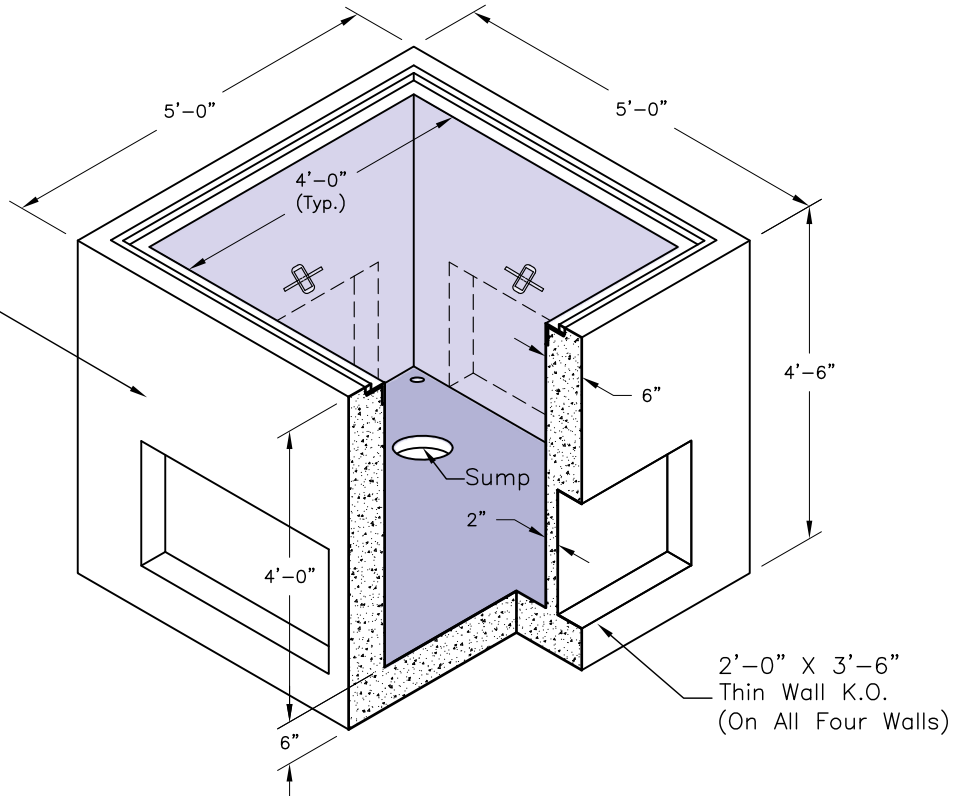


**Galv. Steel Traffic Cover**

(2) Pc. Cover Bolted  
 in Place  
 Weight - 462 Lbs.


**Body w/ Galv. Frame**

Weight - 3,860 Lbs.


**SPECIFICATIONS:**

1. Concrete: Design Strength of 5500 PSI at 28 Days.
2. Steel Reinforcement: ASTM A-615 Grade 60.
3. Loading: Designed for HS-20 Loading.

**GENERAL NOTES:**

1. Thin Wall Knock Outs Available in Different Sizes Upon Request.
2. All Weights Calculated with Solid Walls.
3. Different Body Height is Available Upon Request.