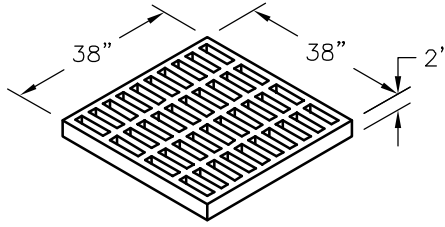


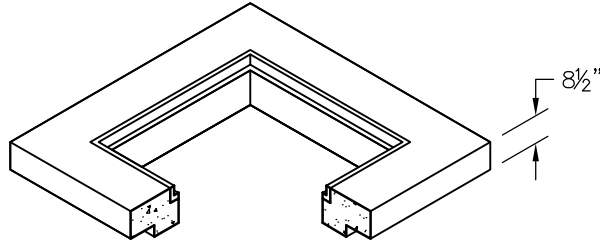
C.I. Grate

Weight - 470 Lbs.



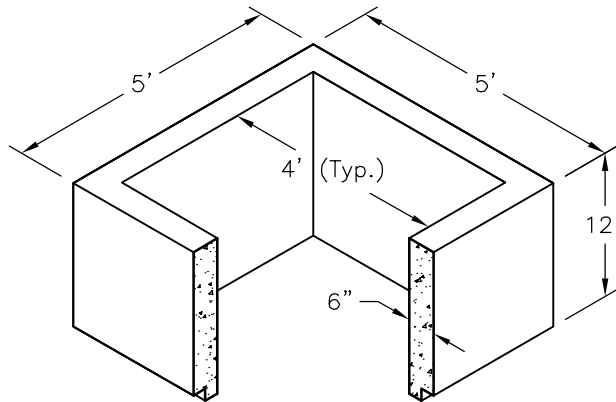
C.I. Frame

Weight - 135 Lbs.



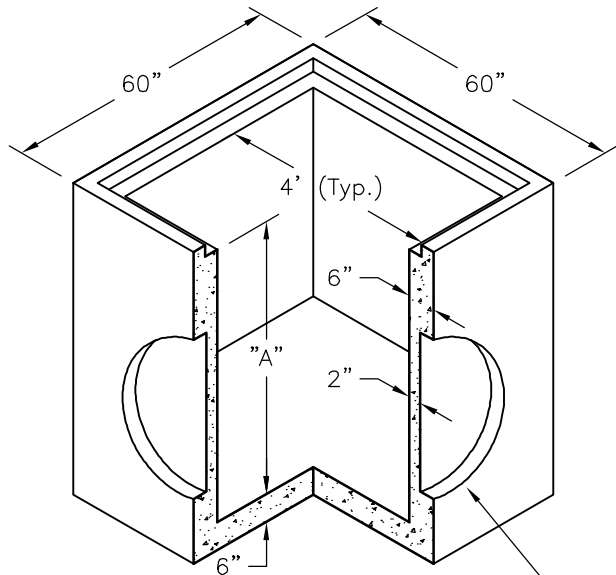
Concrete Slab Top

Weight - 1300 Lbs.



Extension

Weight - 1375 Lbs.



Bottom

Weight - See Table

Bottom	
A	Weight
5'	8625 Lbs.
6'	9975 Lbs.

-K.O.'s as Required



13600 South Wayside, Houston, Texas 77048
Phone: 713-991-2400 Fax: 713-991-0815

4'X4'-CB-DIC

FILE NAME: 264DIC4848CB.DWG

ISSUE DATE: January, 2007

www.oldcastlehouston.com

**4'-0" x 4'-0" I.D.
Catch Basin
Standard Layout**

Copyright © 2007 Oldcastle Precast