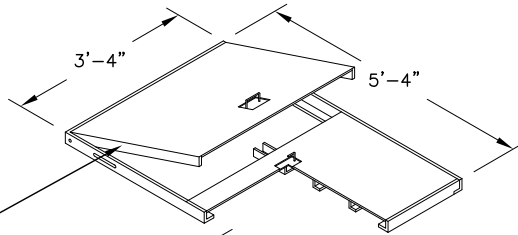


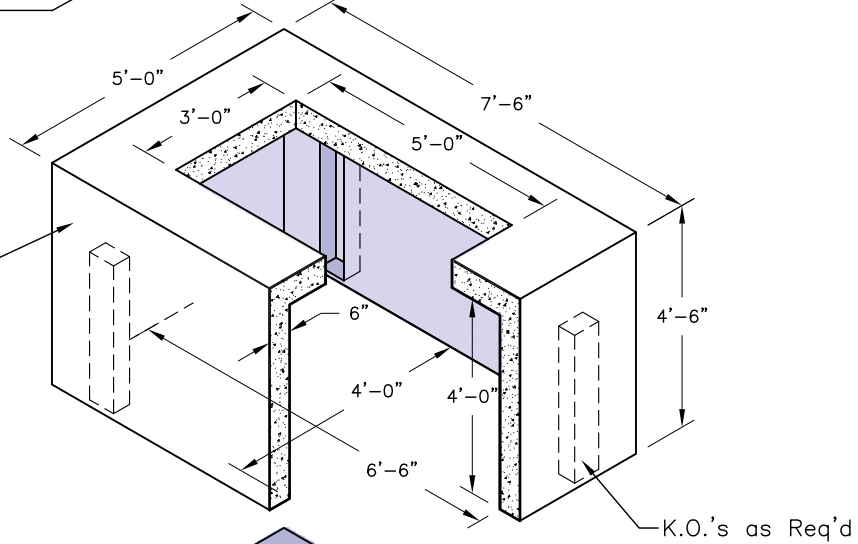
**Hinged Steel Traffic Cover**

Weight - 560 Lbs.



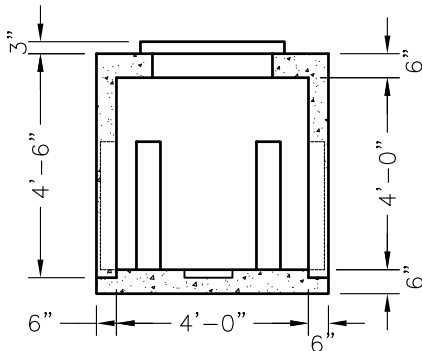
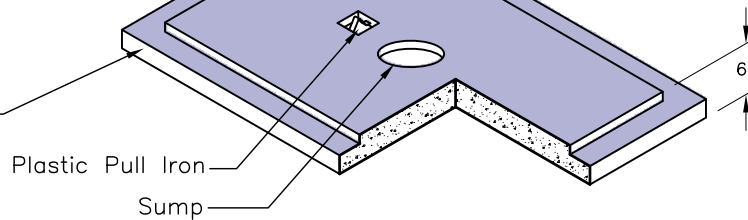
**BODY**

Weight - 8,590 Lbs.



**BASE**

Weight - 2,800 Lbs.



**Elevation**

**GENERAL NOTES:**

1. Thin Wall Knock Outs Available in Different Sizes Upon Request.
2. All Weights Calculated with Solid Walls.
3. Different Body Height is Available Upon Request.

**SPECIFICATIONS:**

1. Concrete: Design Strength of 5500 PSI at 28 Days.
2. Steel Reinforcement: ASTM A-615 Grade 60.
3. Loading: Designed for HS-20 Loading.