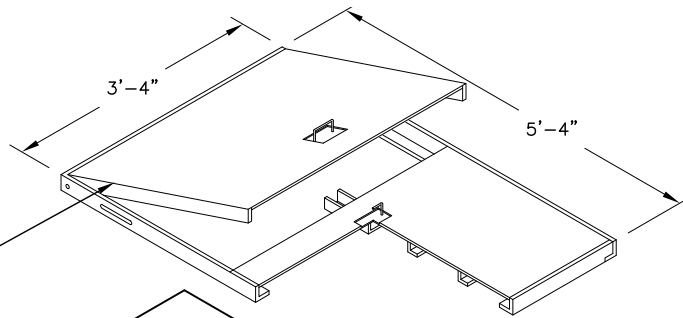


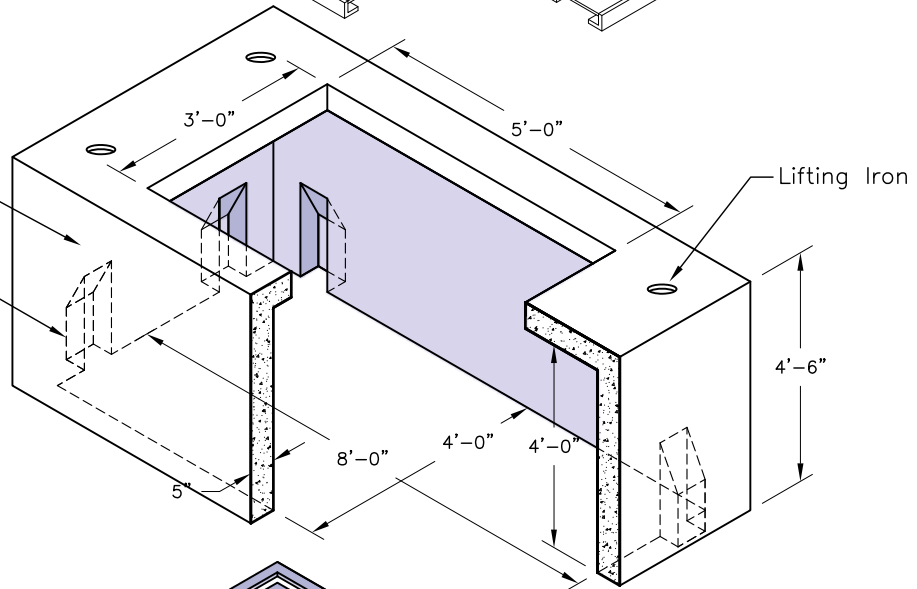
**HINGED STEEL  
TRAFFIC COVER**

Weight - 560 Lbs.

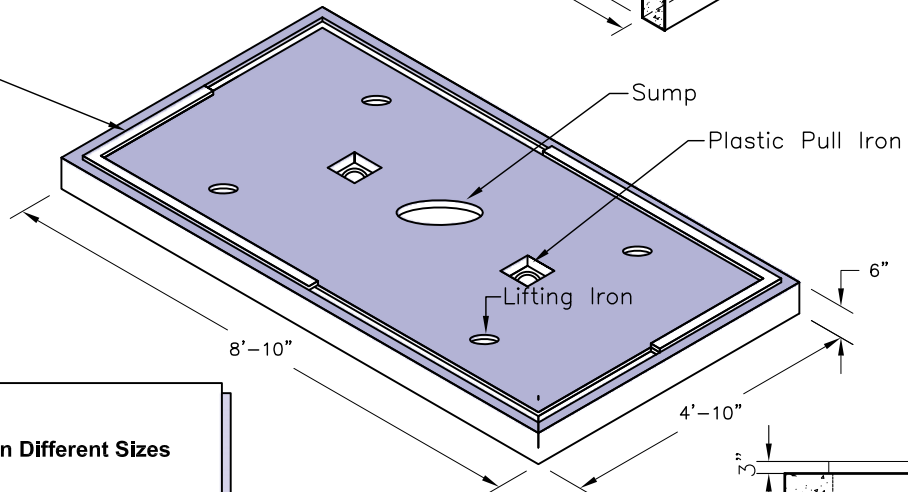

**BODY**

Weight - 8500 Lbs.

K.O.'s as Req'd


**BASE**

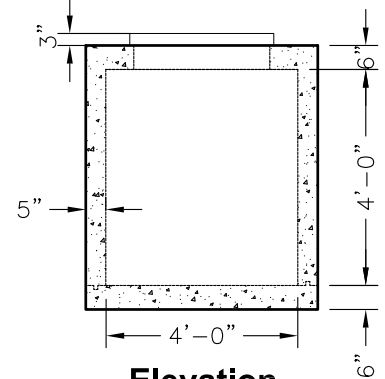
Weight - 3210 Lbs.


**GENERAL NOTES:**

1. Thin Wall Knock Outs Available in Different Sizes Upon Request.
2. All Weights Calculated with Solid Walls.
3. Different Body Height is Available Upon Request.

**SPECIFICATIONS:**

1. Concrete: Design Strength of 5500 PSI at 28 Days.
2. Steel Reinforcement: ASTM A-615 Grade 60.
3. Loading: Designed for HS-20 Loading.


**Elevation**