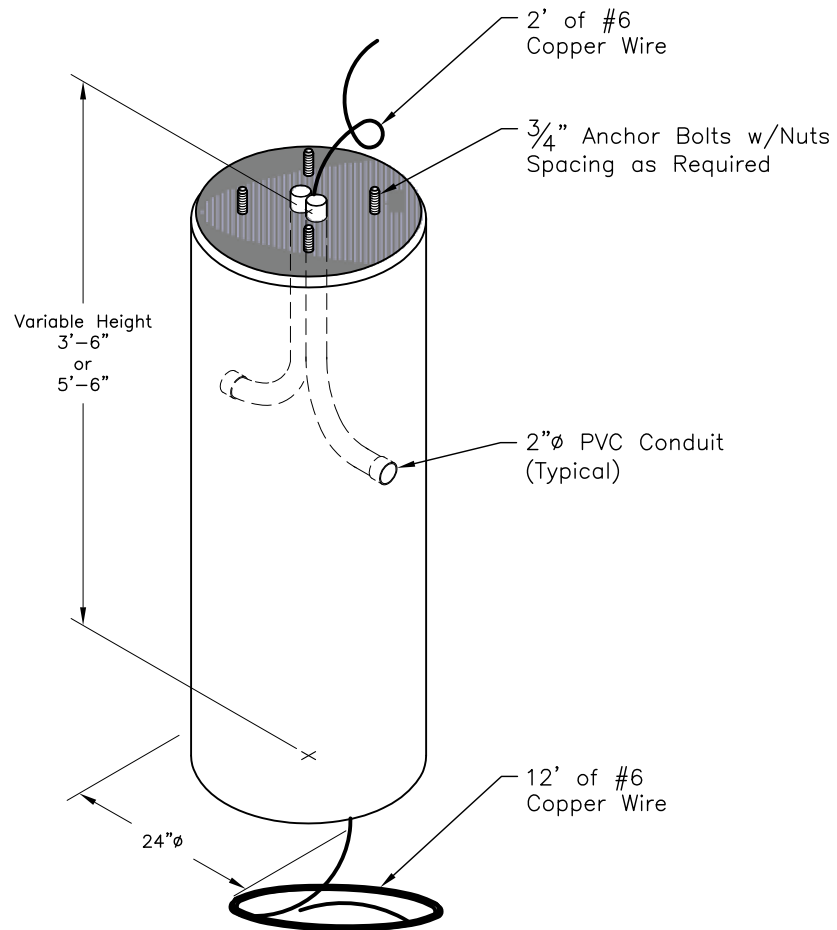
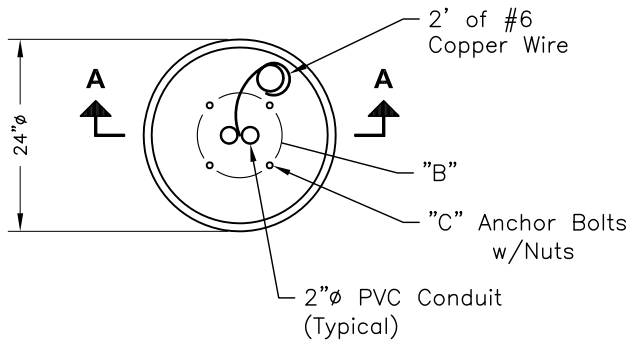


**STREET LIGHT
FOUNDATION**

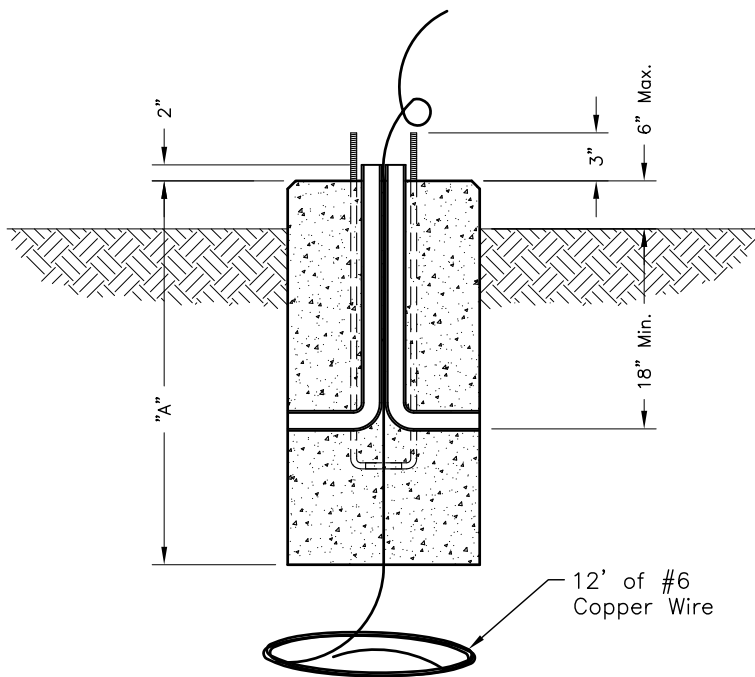
3'-6"
Weight - 1,700 Lbs
Item# - See Table

5'-6"
Weight - 2,700 Lbs
Item# - See Table




PLAN VIEW
SPECIFICATIONS:

1. Concrete: Has a Design Strength of 5,000 psi at 28 Days.
2. Steel Reinforcement: ASTM A-615, Grade 60.


SECTION A-A

Street Light Foundation			
A	B	C	Item#
3'-6"	10 1/2"Ø	3/4"Ø	1801500
3'-6"	15"Ø	3/4"Ø	1801300
3'-6"	14"Ø	3/4"Ø	1801305
5'-6"	10 1/2"Ø	1"Ø	1801400
5'-6"	14"Ø	1"Ø	1801700
5'-6"	14"Ø	1 1/4"Ø	1801600