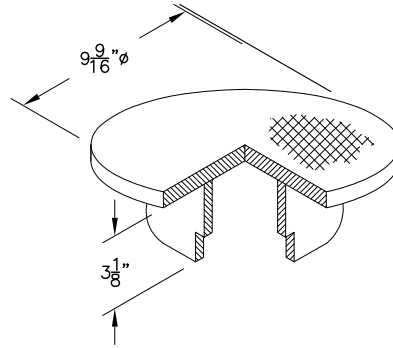


**No. 3-RT C.I. COVER**

Weight – 12 Lbs.  
Item# – 7101700

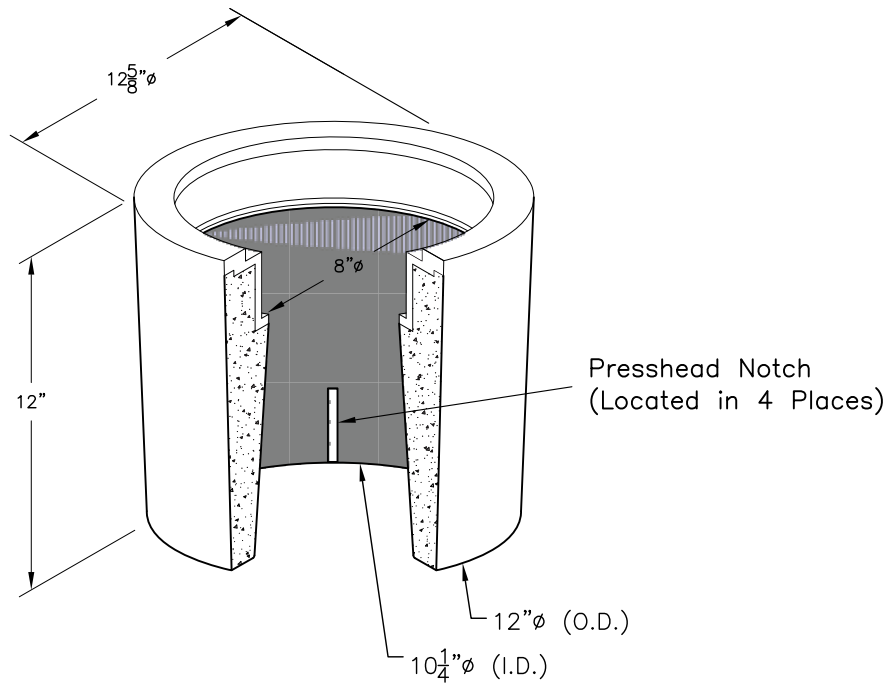
Cover May be Marked:

- 1) "Ground Rod"
- 2) Blank



**No. 3-RT BODY**

Weight – 43 Lbs.  
Item# – 1510100



**SPECIFICATIONS:**

1. Concrete: Design Strength of 5000 PSI at 28 Days.
2. Steel Reinforcement: WWF
3. C.I. Castings: ASTM A-48 Class 30/35.